

BSC800 INSTRUCTION MANUAL

Thank you for purchasing HERCULES Orchestra Stand Cart! The cart is designed to carry up to 12 pcs of HERCULES Stackable Orchestra Stand - BS200B.

The set-up tools are included in the package, please make sure all parts are present as the part list. Follow the part order from 1 to 6 for easy set-up.

TOOLS INCLUDED

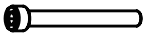
WRENCH



HEX WRENCH for m6 BOLT



HEX WRENCH for m8 BOLT



m8 x 70mm BOLT 8pc



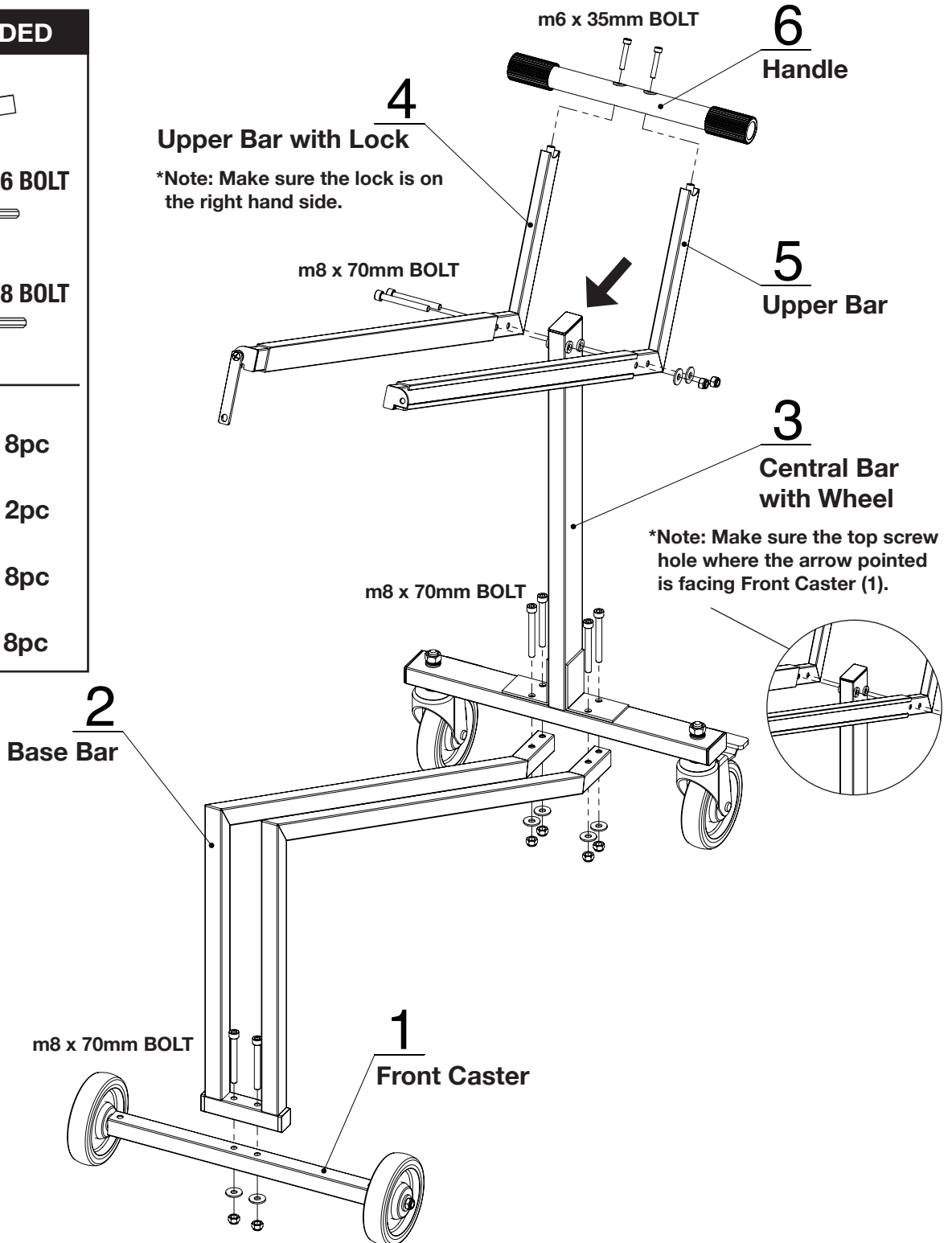
m6 x 35mm BOLT 2pc



SCREW WASHER 8pc



SCREW NUT 8pc



HERCULES
STANDS®

www.herculesstands.com