

# MARS

← MAPLE →



WWW.MAPEXDRUMS.COM



- 02 Overview
- 04 SONIClear® Bearing Edge
- 05 Features
- 06 Configurations
- 08 Natural Satin
- 10 Midnight Blue
- 12 Glossy Amber
- 14 Matte Black
- 16 600 Series Hardware



मेपल lønnetre үйеңкі  
bordo **Ahorn**  
esdoorn  
楓 **Клен**  
maple **كَلِين**  
メープル **klono**  
hlynur **म्यापल**  
javor **juharfa**  
cây phong

“Entirely Maple,  
A Pocket-Friendly  
Sonic Classic”

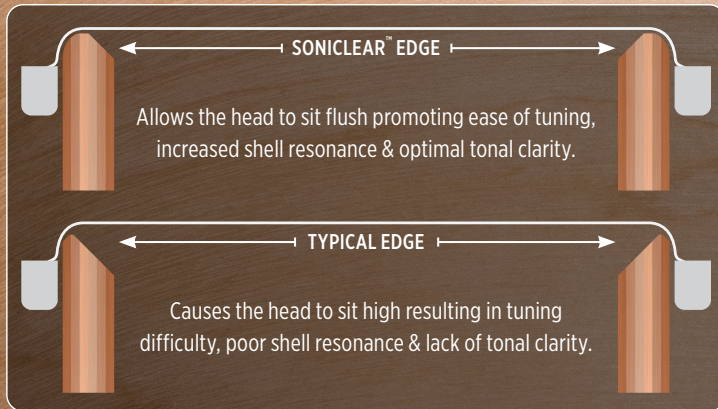


Mars Maple emits a buttery, classic, and warm 100% maple tone transmitted through beautifully lacquered 7ply 7.2mm European Maple Shells for a sound that will launch your drumming to the next level and will command the attention of your bandmates as they get into your groove.

# SONICLEAR

## BEARING EDGE

The **SONIClear® Bearing Edge** is standard on all Mars shells and allows the drumhead to sit flatter and make better contact with the shell. The result is a stronger and deeper fundamental pitch, effortless and consistent tuning, and a significantly expanded tuning range.



# PREMIUM

## FEATURES

Mars Series drums include a number of premium features that will provide pro-level performance to players looking for an affordable but gig-worthy kit.



Straight from the Saturn Series, the **SONIClear® Suspension System** on the rack toms increases overall resonance by preserving vibration in the drumheads and shell and preventing energy transfer to the hardware.



The **Matching Snare Drum** gives a unified look to the set while providing a solid fundamental crack. Its 14" x 5.5" size provides great tuning and musical versatility.



The **Insulated Bass Drum Claws** include rubber gaskets that protect the hoop from damage and prevent rattling or buzzing during periods of extended play.



**Bass Drum Mounted Tom Holders** are standard with Mars Maple Series 504, 529 and 628 shell packs. A **Single Tom Arm and Clamp** for mounting the rack tom from a cymbal stand are standard on the 486 shell packs.

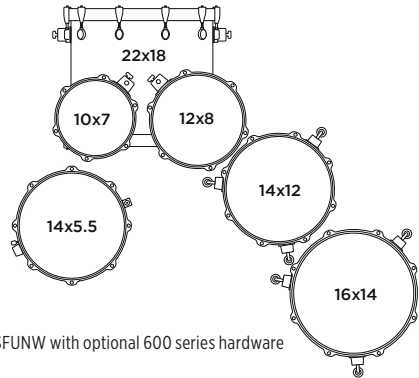
# CONFIGURATIONS

## What's Your Setup?

Mars series is for drummers to explore every possibility on the journey of playing drums. The variety of configurations fits each player's demand for a wide range of musical applications. These instruments release unlimited potential and allow the player to discover their own musical sound.

### 628SFU 6-Piece Studioease Shell Pack

The Mars Series "Studioease" Shell Pack includes short depth rack and floor toms that can span a wide range of playing styles. The shorter depths quicken the stick response and are easier to tune higher without sacrificing body or power. They're well-suited for the drummer needing a great kit for all music genres.

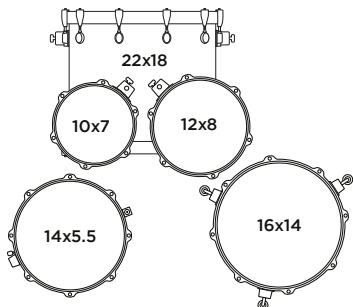


Model shown: MM628SFUNW with optional 600 series hardware



### 529SF 5-Piece Rock Shell Pack

The Mars Series "Rock" Shell Pack features sizes that can span a wide range of playing styles. This configuration offers a blend of power and versatility well-suited for the drummer needing a portable, great sounding kit.

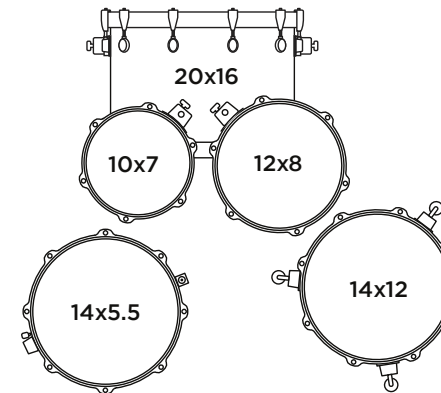


Model shown: MM529SFOD with optional 600 series hardware



### 504SF 4-Piece Fusion Shell Pack

The Mars Series "Fusion" Shell Pack includes smaller sizes that are equally suited for the rock drummer needing a highly portable, great sounding kit, or the jazz drummer needing versatility.

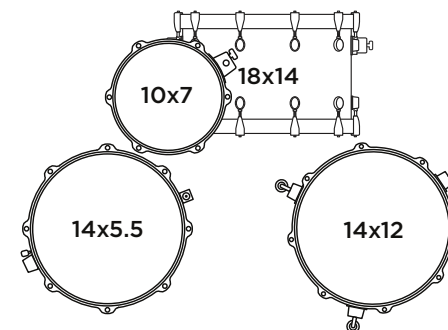


Model shown: MM504SFOG with optional 600 series hardware



### 486S 4-Piece Bop Shell Pack

The Mars Series "Bop" Shell Pack features a 1 up, 1 down with an 18" kick compact setup with a massive sound. This is the configuration you need when space is limited and you require response, power, and control.



Model shown: MM486SKD with optional 600 series hardware



# NATURAL SATIN



(Featured Configuration: MM628SFUNW)

# MIDNIGHT BLUE



(Featured Configuration: MM529SFOD)

# GLOSSY AMBER



(Featured Configuration: MM504SFOG)



# MATTE BLACK



(Featured Configuration: MM486SKD)

# 600 SERIES

## HARDWARE OPTIONS - Chrome

600 Series Hardware features lightweight yet highly functional stands and simple but sturdy pedals that will serve the needs of gigging drummers needing to lighten their load or younger players looking to make a major upgrade.

- HP6005 - Hardware Pack w/ Two Booms, Snare Stand, Hi-Hat Stand and Single Pedal (Chrome)
- HP6005-DP - Hardware Pack w/ Two Booms, Snare Stand, Hi-Hat Stand and Double Pedal (Chrome)

### PEDAL P600/P600TW

A **Double Chain Drive** ensures long-lasting durability and a smooth feel.

A **Solid Steel Base Plate** and **Retractable Floor Spikes** provide stability during aggressive play.



### SNARE STAND S600

A **Multi-Step Snare Basket Tilter** provides a wide variety of snare drum positions.

The **Die-Cast Snare Basket Adjuster** and a **Clamp-Style Memory Lock** ensure the drum remains securely in position.



### HI-HAT H600

A **Retractable Floor Spike** and a **Concave Double-Braced Leg Shape** provide stability and compact storage.

The **Direct Pull Chain-Drive** and **Variable Tension Adjustment** ensure a responsive feel at every tension setting.



### BOOM STAND B600

A **Knurled Hideaway Boom Arm** provides compact stand storage.

**Concave Double-Braced Leg Shape** allows for better stand positioning and compact storage.



\*B60 Boom Arm Available

# 600 SERIES

## HARDWARE OPTIONS - Black Plated

600 Series Hardware comes in either chrome or black-plated finish to the style of any player, and is available as individual pieces or in the following hardware packs:

- HP6005EB - Single Pedal Hardware Pack (Black-Plated)
- HP6005EB-DP - Double Pedal Hardware Pack (Black-Plated)

### PEDAL P600/P600TW

A **Double Chain Drive** ensures long-lasting durability and a smooth feel.

A **Solid Steel Base Plate** and **Retractable Floor Spikes** provide stability during aggressive play.



### SNARE STAND S600EB

A **Multi-Step Snare Basket Tilter** provides a wide variety of snare drum positions.

The **Die-Cast Snare Basket Adjuster** and a **Clamp-Style Memory Lock** ensure the drum remains securely in position.



### HI-HAT H600EB

A **Retractable Floor Spike** and a **Concave Double-Braced Leg Shape** provide stability and compact storage.

The **Direct Pull Chain-Drive** and **Variable Tension Adjustment** ensure a responsive feel at every tension setting.



### BOOM STAND B600EB

A **Knurled Hideaway Boom Arm** provides compact stand storage.

A **Concave Double-Braced Leg Shape** allows for better stand positioning and compact storage.



\*B60EB Boom Arm Available



WWW.MAPEXDRUMS.COM

Colors shown in this catalog are representative only, and may not be exactly the same as the original.  
No part of this catalog may be reprinted or reproduced in any form in whole or in part, without the prior written permission of KHS.