



PRODUCT **CATALOG**



HERCULES STANDS IS COMMITTED TO EFFICIENTLY DEVELOPING ECO-FRIENDLY MATERIALS AND REFINING OUR MANUFACTURING PROCESSES TO FURTHER REDUCE ENERGY CONSUMPTION AND WASTE. OUR PASSIONATE COMMITMENT TO CREATIVE, INNOVATIVE & QUALITY ECO-FRIENDLY PRODUCTS IS STRONGER THAN EVER.

TRUST

SAFE | SECURE | STABLE | STRONG

02



GUITAR STANDS

12

**UKULELE
STANDS & FOLK
INSTRUMENT
HANGERS**

14

**KEYBOARD
STANDS**

22

**MICROPHONE
STANDS**

32

**SPEAKER &
LIGHTING
STANDS**

38



**MULTIMEDIA
STANDS**

42

**MUSIC
STANDS**



50

**PERCUSSION
TABLE**

52

**WIND
INSTRUMENT
STANDS**

67

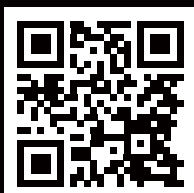
**VIOLIN, CELLO &
BASS STANDS**



GUITAR STANDS

HERCULES designed the Auto Grip System with the unique locking system to provide the safest most secure stand for you instrument.

Our Auto Grip System (AGS) is engineered to function easily and is built to last. Specially Formulated Foam (SFF) Rubber is widely used on all contact points between stand and your guitar and is safe for most finishes.



Scan this QR Code with your smartphone and watch the Guitar Stands series.

1 STAND FOR ACOUSTIC & ELECTRIC GUITARS



Compact Fold Design

GS200B

EZPack Guitar Stand

GS200B features a design that fits both acoustic and electric guitars, hard rubber contact points that protect your instrument and GS200B folds down small enough to fit in your backpack, instrument case or gig bag.

Feature

- » The compact size and lightweight design folds and unfolds easily, sets up quickly and goes where you go
- » Design fits both acoustic and electric guitars

Specifications

Height: 240 mm (9.5")

Weight: 0.5 kg (1.1 lbs.)

Load Capacity: 10 kg (22 lbs.)

Folded Size: 260 mm × 110 mm × 43 mm
(10.2" × 4.3" × 1.7")

Base Radius: 400 mm × 280 mm
(15.7" × 11")



GS412B PLUS

AGS Guitar Stand w/Backrest

Features

- » The built-in Auto Grip System safely locks instrument in place
- » Instant Height Adjustment Clutch with locking pin adjusts stand height quickly, easily and securely
- » The Folding Back Rest supports instrument securely, has multi-angle position adjustment and folds up securely for travel
- » Specially Formulated Foam Rubber fully protects instrument at all contact points

Specifications

Nut Width Range: 40 mm - 52 mm
(1.57" - 2.05")

Height: 855 mm - 1,075 mm
(33.6" - 42.3")

Weight: 1.7 kg (3.7 lbs)

Base Radius: 320 mm (12.6")

Load Capacity: 15 kg (33 lbs)

Folded Size:

740 mm x 110 mm x 170 mm
(29.1" x 4.3" x 6.7")

Accessories: 1 pair N.I.N.A™ (HA301)



GS414B PLUS

AGS Guitar Stand

Features

- » The built-in Auto Grip System safely locks instrument in place
- » Instant Height Adjustment Clutch with locking pin adjusts stand height quickly, easily and securely
- » Specially Formulated Foam Rubber fully protects instrument at all contact points

Specifications

Nut Width Range: 40 mm - 52 mm
(1.57" - 2.05")

Height: 950 mm - 1,150 mm (37.4" - 45.2")

Weight: 1.88 kg (4.1 lbs)

Base Radius: 310 mm (12.2")

Load Capacity: 15 kg (33 lbs)

Folded Size: 710 mm x 110 mm x 170 mm
(28" x 4.3" x 6.7")

Accessories: 1 pair N.I.N.A™ (HA301)



GS415B PLUS

AGS Guitar Stand w/Foldable Yoke

Features

- » The folding built-in Auto Grip System safely locks instrument in place
- » Instant Height Adjustment Clutch with locking pin adjusts stand height quickly, easily and securely
- » Specially Formulated Foam Rubber fully protects instrument at all contact points

Specifications

Nut Width Range: 40 mm - 52 mm
(1.57" - 2.05")

Height: 960 mm - 1,150 mm
(37.8" - 45.3")

Weight: 2 kg (4.4 lbs)

Base Radius: 310 mm (12.2")

Load Capacity: 15 kg (33 lbs)

Folded Size:

685 mm x 110 mm x 100 mm
(27" x 4.3" x 3.9")

Accessories: 1 pair N.I.N.A™ (HA301)



Auto Grip System

The Auto Grip System PLUS is driven by the weight of Guitar or Bass.



The AGS PLUS has been engineered with a smooth-sliding channel, main body and two arms with SFF rubber.

When the instrument is placed on the yoke, the channel slides down and rotates two arms holding and protecting your guitar.

To take the guitar, simply lift the instrument out of the housing, two arms release immediately. Fits guitars with neck from 40 mm – 52 mm (1.57" – 2.05").



Narrow Instrument Neck Adjustment (N.I.N.A™) adapters are specially designed to reduce the distance between the AGS arms.

WATCH THE VIDEO



Foldable Auto Grip System Yoke Supports a wide variety of instruments and folds up securely for travel.



Adjustable Folding Back Rest The multi-angle folding back rest supports a wide variety of instruments and folds up securely for travel.

GS422B PLUS

AGS 2 Guitar Stand

Features

- » Two folding built-in Auto Grip System safely locks instrument(s) in place
- » Instant Height Adjustment Clutch with locking pin adjusts stand height quickly, easily and securely
- » The Folding Back Rest supports instrument securely, has multi-angle position adjustment and folds up securely for travel
- » Specially Formulated Foam Rubber fully protects instrument at all contact points

Specifications

Nut Width Range: 40 mm - 52 mm
(1.57" - 2.05")

Height: 925 mm - 1,250 mm (36.4" - 49.2")

Weight: 2.6 kg (5.7 lbs)

Base Radius: 430 mm (16.9")

Load Capacity: 20 kg (44 lbs)

Folded Size: 780 mm x 130 mm x 115 mm
(30.7" x 5.1" x 4.5")

Accessories: 1 pair N.I.N.A™ (HA301)



GS432B PLUS

AGS 3 Guitar Stand

Features

- » Three folding built-in Auto Grip system safely locks instrument(s) in place
- » Instant Height Adjustment Clutch with locking pin adjusts stand height quickly, easily and securely
- » The Folding Back Rest supports instrument securely, has multi-angle position adjustment and folds up securely for travel
- » Specially Formulated Foam Rubber fully protects instrument at all contact points

Specifications

Nut Width Range: 40 mm - 52 mm
(1.57" - 2.05")

Height: 925 mm - 1,250 mm (36.4" - 49.2")

Weight: 2.98 kg (6.6 lbs)

Base Radius: 430 mm (16.9")

Load Capacity: 30 kg (66 lbs)

Folded Size: 780 mm x 150 mm x 150 mm
(30.7" x 5.9" x 5.9")

Accessories: 1 pair N.I.N.A™ (HA301)



GS526B PLUS

AGS 6 Guitar Stand

Features

- » Six folding built-in Auto Grip System safely locks instrument in place
- » Instant Height Adjustment Clutch with locking pin adjusts stand height quickly, easily and securely
- » The Folding Back Rest supports instrument securely, has multi-angle position adjustment and folds up securely for travel
- » Specially Formulated Foam Rubber fully protects instrument at all contact points

Specifications

Nut Width Range: 40 mm - 52 mm
(1.57" - 2.05")

Height: 1,500 mm - 1,900 mm (59" - 74.8")

Weight: 5.4 kg (11.9 lbs)

Base Radius: 530 mm (20.9")

Load Capacity: 40 kg (88 lbs)

Folded Size: 1,195 mm x 140 mm x 140 mm
(47.0" x 5.5" x 5.5")

Accessories: 2 pair N.I.N.A™ (HA301)



Our goal at HERCULES is to build the best possible instrument stands. Our stands are intended to give you years of trouble-free use. However, guitar manufacturers use many different finish materials and techniques. Therefore, we advise you read the manufacturers warranty and care guide materials for instructions on the proper care and maintenance of your instrument.

GS523B

Multi Guitar Rack - 3

GS523B accommodates three guitars with Specially Formulated Foam (SFF) Rubber on all contact points.

Features

- » One-piece design sets up and tears down easily
- » Unique Guitar Yoke designed for acoustic, electric and bass guitars
- » 4 pick slots on each yoke
- » Includes 3 yokes, expands to 6 with HA205

Specifications

Height: 640 mm (25.2")

Weight: 3.6 kg (7.9 lbs.)

Base Radius: 620 mm x 500 mm
(24.4" x 19.7")

Load capacity: 80 kg (176 lbs.)

Folded size: 710 mm x 630 mm x 110 mm
(28" x 24.8" x 4.3")



WATCH THE VIDEO



GS523B PLUS

Multi Guitar Rack - 3 w/ Casters

GS523B PLUS accommodates three guitars and utilizes Specially Formulated Foam (SFF) padding to cover all contact points.

Features

- » One piece design sets up and tears down easily
- » Unique Guitar Yoke design for acoustic, electric and bass guitars
- » Enhanced mobility for easy movement and setup
- » Swappable casters with rubber feet
- » 4 pick slots on each yoke
- » Includes 3 yokes, expands to 6 with HA205

Specifications

Height: 715 mm (28.1")

Weight: 4.3kg (9.48 lbs.)

Base Radius: 670 mm x 550 mm
(26.38" - 21.65")

Load Capacity: 80 kg (176.37 lbs.)

Folded Size: 630 mm x 110 mm x 710 mm
(24.80" x 4.33" x 27.95")

CASTERS
INSTALLATION VIDEO



GS525B

Multi Guitar Rack - 5

GS525B accommodates five guitars with Specially Formulated Foam (SFF) Rubber on all contact points.

Features

- » One-piece design sets up and tears down easily
- » Unique guitar yoke designed for acoustic, electric and bass guitars
- » 4 pick slots on each yoke
- » Includes 5 yokes, expands to 10 with HA205

Specifications

Height: 640 mm (25.2")

Weight: 4.4 kg (9.7 lbs.)

Base Radius: 1,000 mm x 500 mm
(39.4" x 19.7")

Load capacity: 80 kg (176 lbs.)

Folded size: 1,010 mm x 110 mm x 710 mm
(39.8" x 4.3" x 28")



WATCH THE VIDEO



GS525B PLUS

Multi Guitar Rack - 5 w/ Casters

GS525B PLUS accommodates five guitars and utilizes Specially Formulated Foam (SFF) padding to cover all contact points.

Features

- » One piece design sets up and tears down easily.
- » Unique Guitar Yoke design for acoustic, electric and bass guitars
- » Enhanced mobility for easy movement and setup
- » Swappable casters with rubber feet
- » 4 pick slots on each yoke.
- » Includes 5 yokes, expands to 10 with HA205

Specifications

Height: 715 mm (28.1")

Weight: 5.1kg (11.24 lbs.)

Base Radius: 1,050 mm x 550 mm
(41.34" - 21.65")

Load Capacity: 80 kg (176.37 lbs.)

Folded Size: 1,010 mm x 110 mm x 710 mm
(39.76" x 4.33" x 27.95")

CASTERS
INSTALLATION VIDEO



HA205

Extension Yoke For Rack

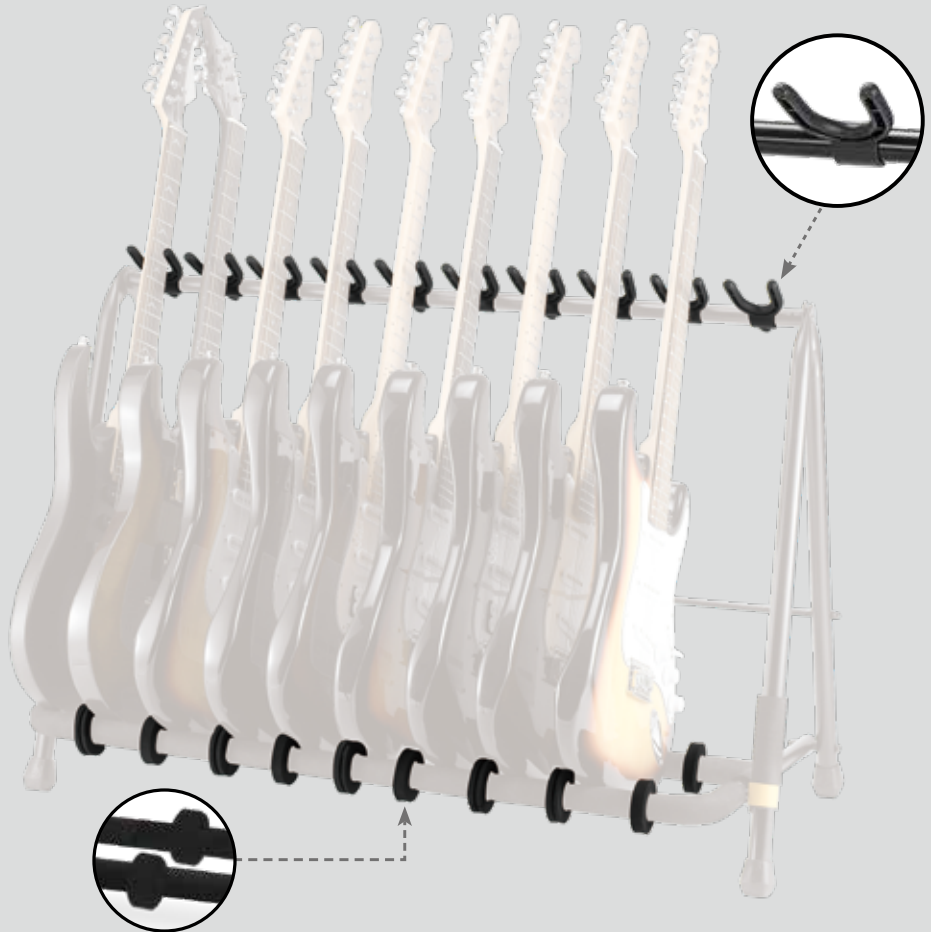
HA205 can double the capacity of either the GS523B or the GS525B. Each extension pack includes one yoke and two rings to add one guitar to your GS523B, GS525B, GS523B PLUS, or GS525B PLUS.

Features

- » Extension yoke connects easily and securely to GS523B, GS525B, GS523B PLUS, or GS525B PLUS.



GS523B, GS523B PLUS 3+3=6 Guitars
GS525B, GS525B PLUS 5+5=10 Guitars



GS405B

SHOKSAFE Guitar Stand

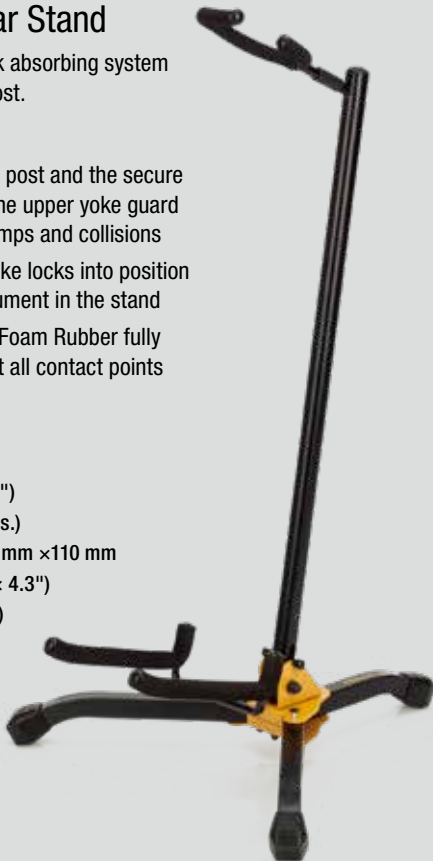
GS405B features a shock absorbing system with SHOKSAFE tilting post.

Features

- » The SHOKSAFE tilting post and the secure retention system on the upper yoke guard against accidental bumps and collisions
- » The folding bottom yoke locks into position to safely secure instrument in the stand
- » Specially Formulated Foam Rubber fully protects instrument at all contact points

Specifications

Height: 735 mm (28.9")
Weight: 1.9 kg (4.2 lbs.)
Base radius: 270 mm (10.6")
Load capacity: 15 kg (33 lbs.)
Folded size: 675 mm × 155 mm × 110 mm
(25.4" × 6.1" × 4.3")
Yoke length: 150 mm (5.9")



FS100B

Foot Rest

The Foot Rest has a large foot plate with eco-friendly rubber for non-slip support.

Features

- » Height and angle adjusts to 5 positions
- » Large footrest plate
- » Non-slip support, eco-friendly rubber
- » Compact and sturdy

Specifications

Height: 130 mm - 265 mm (5.1" - 10.4")
Weight: 0.8 kg (1.8 lbs.)
Load Capacity: 90 kg (198.4 lbs.)
Folded size: 307 mm × 138 mm × 23 mm
(12" × 5.4" × 0.9")





GS401BB

Mini Acoustic Guitar Stand

A stable one-piece stand. It is designed to fold up quickly and pack into the included storage bag.

Features

- » All-in-one design is easy to pack and carry
- » Locking pins on the base function easily and lock securely
- » Specially Formulated Foam Rubber fully protects instruments at all contact points
- » Storage bag included

Specifications

Height: 310 mm (12.2")
 Weight: 0.96 kg (2.1 lbs.)
 Base radius: 260 mm (10.2")
 Load capacity: 15 kg (33 lbs.)
 Folded size: 282 mm x 105 mm x 100 mm (11.1" x 4.1" x 3.9")
 Yoke length: 140 mm (5.5")

The storage bag is constructed from environmentally friendly materials. The non-woven fabrics used are recyclable, helping to conserve natural resources.



Compact Fold Design



GS402BB

Mini Electric/Bass Guitar Stand

A stable one-piece stand. It is designed to fold up quickly and pack into the included storage bag.

Features

- » All-in-one design is easy to pack and carry
- » Locking Pins on the base function easily and lock securely
- » Specially Formulated Foam Rubber fully protects instruments at all contact points
- » Storage bag included

Specifications

Height: 310 mm (12.2")
 Weight: 0.9 kg (1.9 lbs.)
 Base radius: 230 mm (9")
 Load capacity: 15 kg (33 lbs.)
 Folded size: 282 mm x 105 mm x 100 mm (11.1" x 4.1" x 3.9")
 Yoke length: 65 mm (2.6")

GSB001

Carrying Bag

Carry bag for HERCULES Guitar Stands:
 GS412B PLUS / GS414B PLUS / GS415B PLUS / GS422B PLUS / GS432B PLUS / GS405B
 – Also fits: DS730B / DS520B / DS561B / DS580B

Features

- » Heavy-duty nylon
- » Drawstring opening
- » Shoulder strap

Specifications

Size: 800 mm x 110 mm (31.5" x 4.3")
 Load Capacity: 9 kg (20 lbs.)



TRAVLITE SERIES

The HERCULES TravLite Series is designed for touring musicians that demand light, portable, solid stands.



The TravLite guitar stands feature sturdy steel construction and are fully collapsible. These stands fit easily into most gig bags or back packs.

Features

- » Compact slim design folds flat for easy transport
- » Specially Formulated Foam Rubber fully protects instruments at all contact points
- » Non-slip Specially Formulated Rubber Pads adjust to safely accommodate instruments (GS303B Model Only)

GS301B

TRAVLITE Acoustic Guitar Stand

The sturdy yet light-weight steel construction fits acoustic guitars and most vihuelas.

Specifications

Height: 250 mm (9.8")

Weight: 0.9 kg (1.9 lbs.)

Base radius: 325 mm x 255 mm (12.8" x 10")

Load capacity: 15 kg (33 lbs.)

Folded size: 300 mm x 245 mm x 50 mm
(11.8" x 9.6" x 1.9")

Yoke depth: 146 mm (5.7")

GS302B

TRAVLITE Electric Guitar Stand

The sturdy yet light-weight steel construction fits electric/bass guitars.

Specifications

Height: 250 mm (9.8")

Weight: 0.9 kg (1.9 lbs.)

Base radius: 325 mm x 255 mm (12.8" x 10")

Load capacity: 15 kg (33 lbs.)

Folded size: 300 mm x 245 mm x 50 mm
(11.8" x 9.6" x 1.9")

Yoke depth: 68 mm (2.6")

GS303B

TRAVLITE Folk Instrument Stand

Solid, sturdy and compact. For banjos, mandolins, ukuleles and violins.

Specifications

Height: 250 mm (9.8")

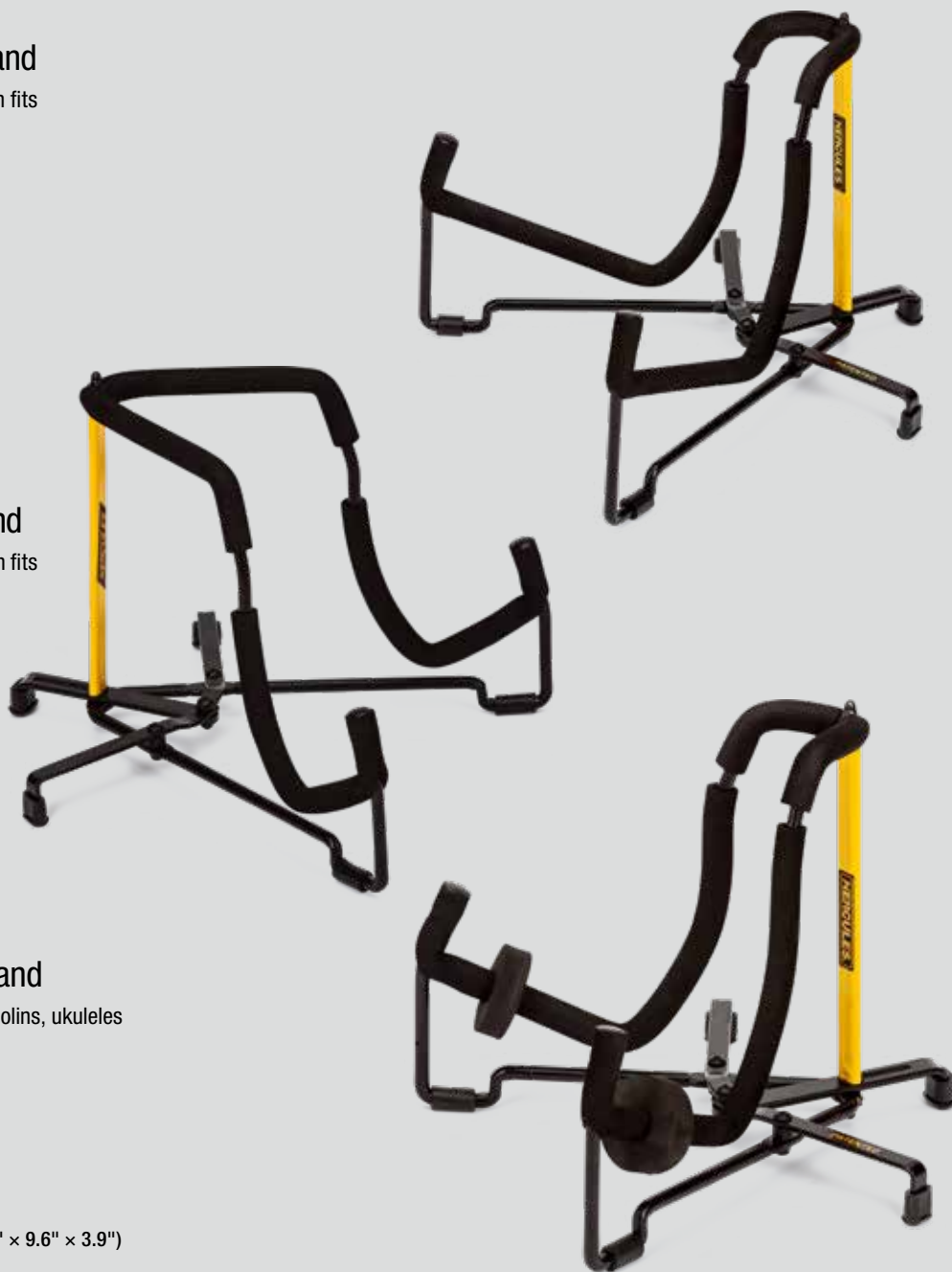
Weight: 0.9 kg (1.9 lbs.)

Base radius: 280 mm x 255 mm (11" x 10")

Load capacity: 15 kg (33 lbs.)

Folded size: 260 mm x 245 mm x 100 mm (10.2" x 9.6" x 3.9")

Yoke depth: 90 mm (3.5")



HA206

Guitar Neck Cradle

HA206 holds the instrument neck safely, keeping it stable during the tech process. Height adjustable, accommodates most stringed instruments.

Features

- » Stable, safe, secure positioning
- » Specially Formulated Foam Rubber protects instrument

Specifications

Height: 110 mm – 120 mm (4.3" – 4.7")

Weight: 0.2 kg (0.5 lbs.)

Load Capacity: 15 kg (33 lbs.)

Folded size: 120 mm × 155 mm × 35 mm (4.7" × 6.1" × 1.4")



HA101S

AGS Guitar Stand/Hanger System Lock

Features

- » Locks instruments in AGS stands
- » 1 lock + 2 keys per package
- » 24 packages per counter display box

HA201

Dealer Pack, Lock For AGS Guitar Stands

Features

- » 12 locks + 3 keys in a package
- » Protects and secures instrument in stand
- » Prevents unwanted handling of instruments
- » Deters theft

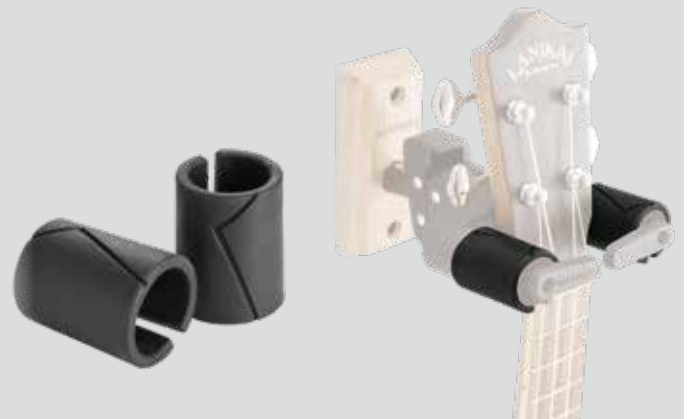


HA301

Narrow Instrument Neck Adjustment (NINA™)

Features

- » Increases the thickness of AGS arms.
- » Accommodates narrow neck instruments (like banjos and mandolins) and different neck sizes from min. 28 mm (1.1")
- » Suitable for plus series guitar stands & hangers (e.g. GS414B PLUS)

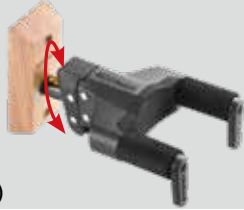


Auto Grip System (AGS) Guitar Hangers

Supports symmetric and asymmetric guitar necks that allows for multi-angle adjustments while safely locking instrument in place.

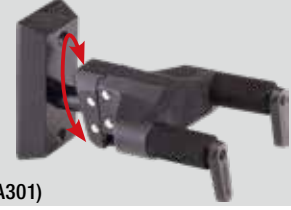
Arm Length from base: 105 mm (4.1"), Load capacity: 7 kg (15.4 lbs.)

GSP38WB PLUS Wall mount with screws



Accessories: 1 pair N.I.N.A™ (HA301)

GSP38WBK PLUS Wall mount with screws



Accessories: 1 pair N.I.N.A™ (HA301)

GSP38WBR PLUS Wall mount with screws



Accessories: 1 pair N.I.N.A™ (HA301) Exclusive offer within certain regions

GSP38WBW PLUS Wall mount with screws



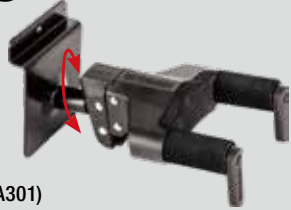
Accessories: 1 pair N.I.N.A™ (HA301) Exclusive offer within certain regions

GSP39WB PLUS Wall mount with screws



Accessories: 1 pair N.I.N.A™ (HA301)

GSP39SB PLUS Fits slatwall



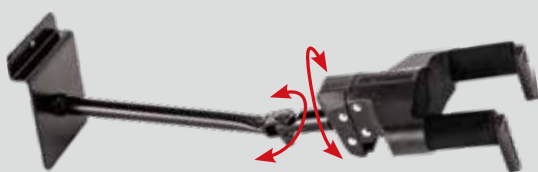
Accessories: 1 pair N.I.N.A™ (HA301)

AutoSwivel and Adjustable Yoke Hangers

The hangers feature both autoswivel and adjustable yoke which pivots left and right so you can display your guitar or bass facing different directions.

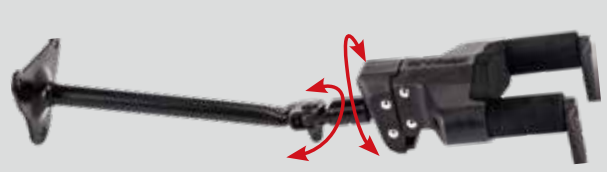
Arm length from base: 275 mm (10.8"), load capacity: 7 kg (15.4 lbs.)

GSP40SB PLUS Fits slatwall



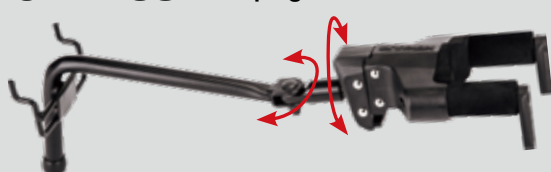
Accessories: 1 pair N.I.N.A™ (HA301)

GSP40WB PLUS Wall mount with screws



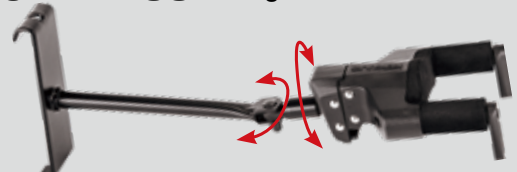
Accessories: 1 pair N.I.N.A™ (HA301)

GSP40B PLUS Fits pegboard



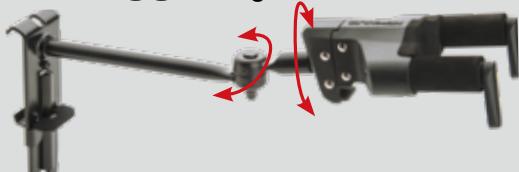
Accessories: 1 pair N.I.N.A™ (HA301)

GSP40HB PLUS Fits gridwall



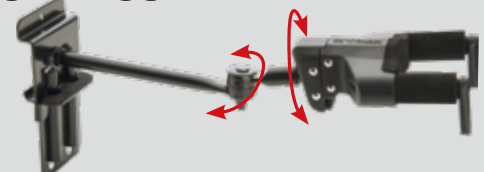
Accessories: 1 pair N.I.N.A™ (HA301)

GSP50HB PLUS Fits gridwall



Accessories: 1 pair N.I.N.A™ (HA301)

GSP50SB PLUS Fits slatwall



Accessories: 1 pair N.I.N.A™ (HA301)



UKULELE STANDS & FOLK INSTRUMENT HANGERS

For decades, Hercules Stands has been offering the most advanced protection for countless guitars around the world. With our innovative Auto Grip System, the instruments are safely locked-in and well supported. Now, this technology has been incorporated into the new ukulele and folks instrument stands to ensure your priceless instruments are held and protected like no other.

WATCH DEMO VIDEO



UKS100B

AGS Single Ukulele Stand

The Ukulele Stand UKS100B features the foldable Auto Grip System (AGS) yoke, Instant Height Adjustment Clutch and Specially Formulated Foam (SFF) rubber on all contact points.

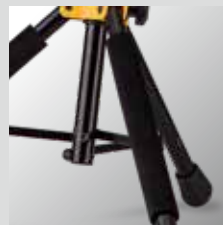
Features:



Foldable Auto Grip System safely locks ukulele in place



Instant height adjustment clutch with locking pin adjusts stand height quickly, easily and securely



Specially Formulated Foam (SFF) rubber fully protects your instrument on all contact points



The stand folds up compactly for easy transport and storage



Specifications:

Height: 575 mm-815 mm (22.6"-32.1")

Weight: 0.8 kg (1.8 lbs.)

Base Radius: 210 mm (8.3")

Load Capacity: 4 kg (8.8 lbs.)

Folded Size: 475 mm x 90 mm x 80 mm (18.7" x 3.5" x 3.1")



USP20CB

AGS Ukulele Clamp

The Ukulele Clamp USP20CB features the Auto Grip System (AGS) yoke and a fully adjustable clamp that can be attached to a round or square tube and desks.

Specifications

Weight: 0.4 kg (0.9 lbs.)

Load Capacity: 4 kg (8.8 lbs.)

Folded Size: 90 mm x 75 mm x 230 mm
(3.54" x 2.95" x 9.06")

Clamping Range:

15 mm – 33 mm (0.6" - 1.3")



USP10WB

Folk Instrument Hanger Wall mount with screws

The Ukulele Hanger USP10WB features the Auto Grip System (AGS) yoke and an attractive wood base for home or studio use.

Specifications

Arm Length: 100 mm (3.9")

Load Capacity: 4 kg (8.8 lbs.)



USP10SB

Folk Instrument Hanger Fits slatwall

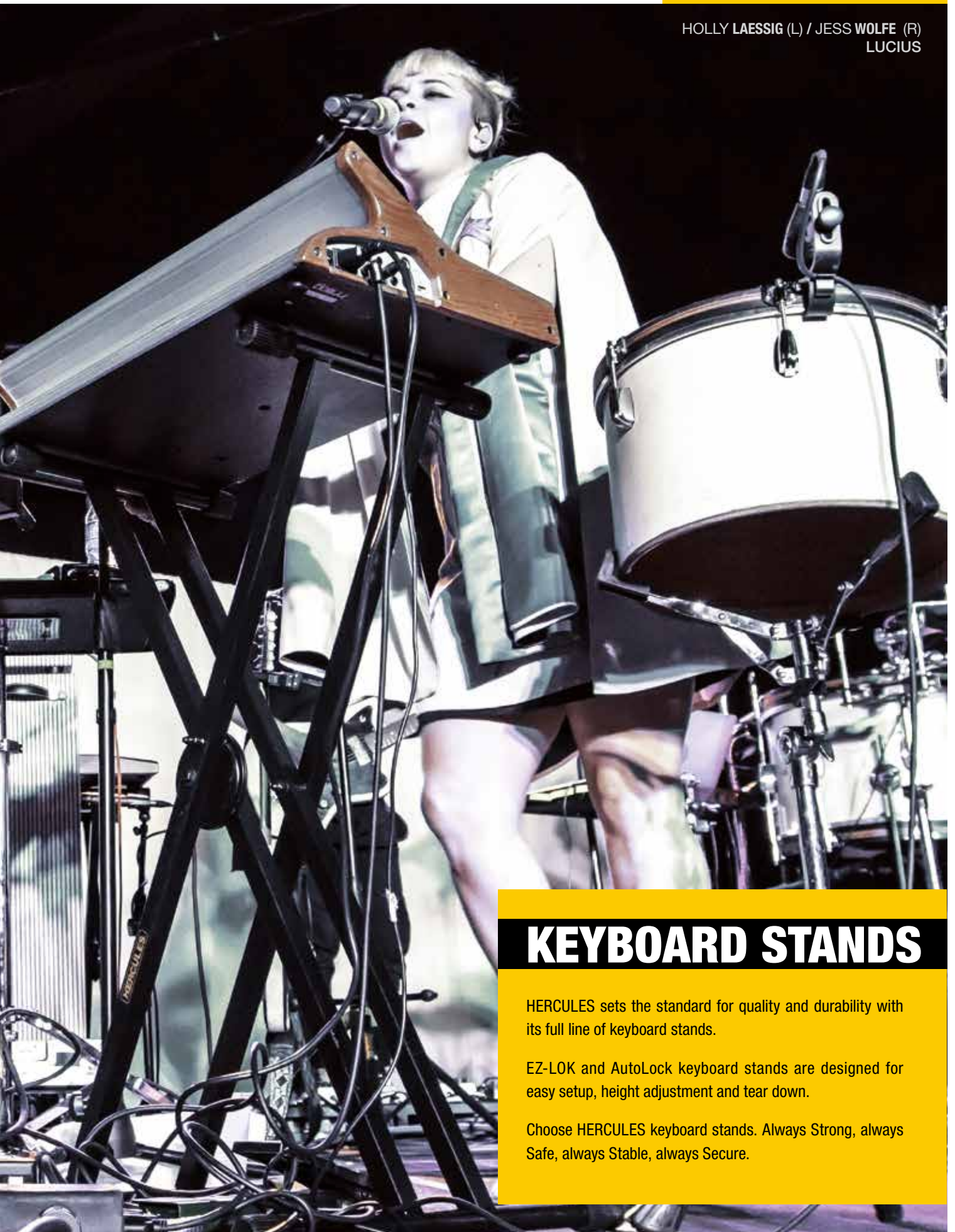
The Ukulele Hanger USP10SB features the Auto Grip System (AGS) yoke and a slatwall base for display use.

Specifications

Arm Length: 100 mm (3.9")

Load Capacity: 4 kg (8.8 lbs.)





KEYBOARD STANDS

HERCULES sets the standard for quality and durability with its full line of keyboard stands.

EZ-LOK and AutoLock keyboard stands are designed for easy setup, height adjustment and tear down.

Choose HERCULES keyboard stands. Always Strong, always Safe, always Stable, always Secure.

TRAVLITE SERIES

KS118B

Travlite Single X-Keyboard Stand

Compact, one-piece design that travels well.

Features

- » Trigger height adjustment with six settings
- » Quick and easy set up and tear down
- » Adjustable rubber foot provides stability

Specifications

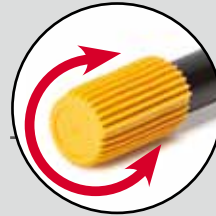
Weight: 3.4 kg (7.5 lbs.)

Load Capacity: 80 kg (176 lbs.)

Folded Size: 990 mm x 150 mm x 90 mm
(39.0" x 5.9" x 3.5")



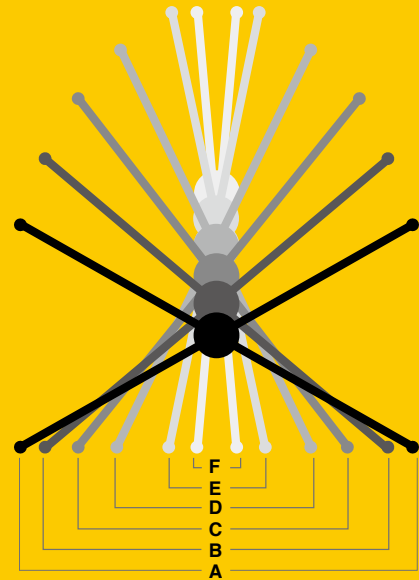
Trigger Adjuster



An Adjustable Rubber Foot is fitted and provides stability on uneven floors.

KEYBOARD STAND HEIGHT & WIDTH POSITIONS

Position	Height	KS100B Width	KS118B Width
A	540 mm (21.3")	875 mm (34.4")	850 mm (33.5")
B	660 mm (26")	790 mm (31.1")	770 mm (30.3")
C	770 mm (30.3")	685 mm (26.9")	665 mm (26.2")
D	860 mm (33.9")	565 mm (22.2")	550 mm (21.7")
E	930 mm (36.6")	430 mm (16.9")	420 mm (16.5")
F	980 mm (38.6")	290 mm (11.4")	285 mm (11.2")



KSB001

Travlite Keyboard Stand Carry Bag for KS118B

Specifications

Size: 1,030 mm x 125 mm x 100 mm (40.5" x 4.9" x 3.9")

Load Capacity: 10 kg (22 lbs.)



KS100B

EZSTEP Single X-Keyboard Stand

Features

- » EZStep foot pedal for 6 easy and quick height settings
- » Collapsible and foldable design, storage size much smaller than standard keyboard stands.

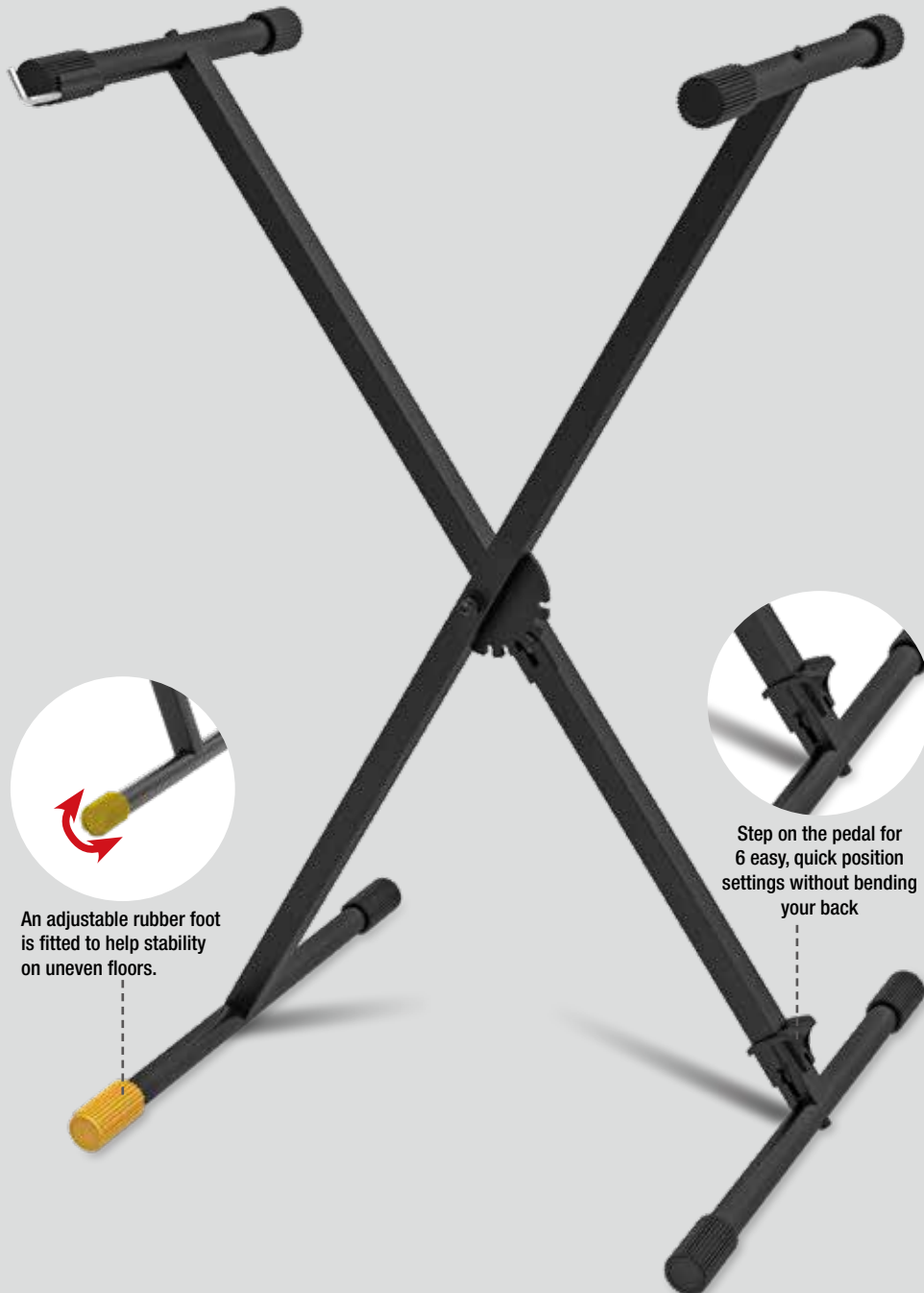
Specifications

Height/Width: 520mm - 980mm(20.3"- 38.6")/ 860mm - 290mm(33.5" - 11.3")

Weight: 3.35 kg (7.2 lbs.)

Load Capacity: 80 kg (176 lbs.)

Folded Size: 990 mm x 78 mm x 90 mm (39" x 3.5" x 3.1")



KS110B

EZ-LOK Single X-Keyboard Stand

Features

- » EZ-LOK System with 5-height settings automatically locks the stand in place
- » Heavy-duty round and square steel tubes and a durable finish
- » Adjustable rubber foot provides stability

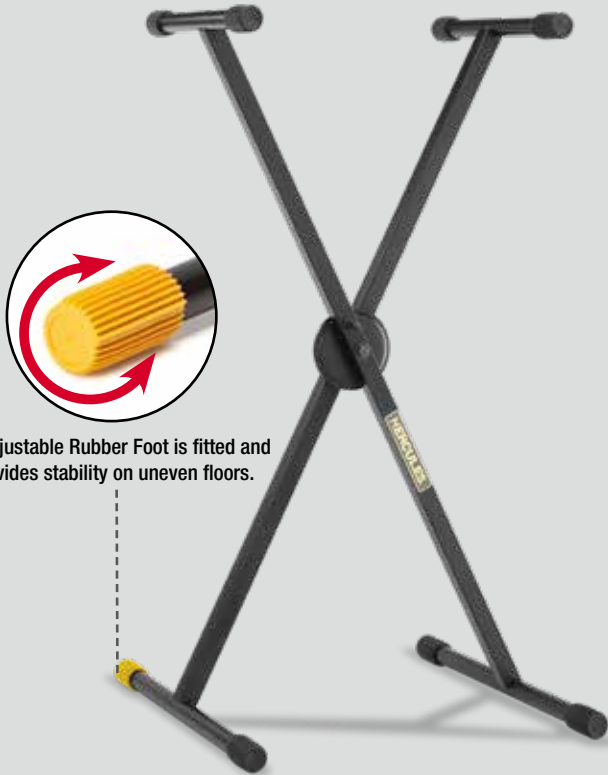
Specifications

Height/Width: 520mm - 980mm(20.3" - 38.6")/ 860mm - 290mm(33.5" - 11.3")

Weight: 3.2 kg (7 lbs.)

Load capacity: 80 kg (176 lbs.)

Folded size: 1,033 mm x 515 mm x 110 mm (40.7" x 20.3" x 4.3")



KS120B

EZ-LOK Double X-Keyboard Stand

Features

- » EZ-LOK System with 5-height settings automatically locks the stand in place
- » Heavy-duty round and square steel tubes and a durable finish
- » Adjustable rubber foot provides stability
- » Double brace provides additional strength and stability.

Specifications

Height/Width: 520mm-980mm(20.3" - 38.6")/ 860mm-290mm(33.5" - 11.3")

Weight: 5.9 kg (13 lbs.)

Load Capacity: 100 kg (220 lbs.)

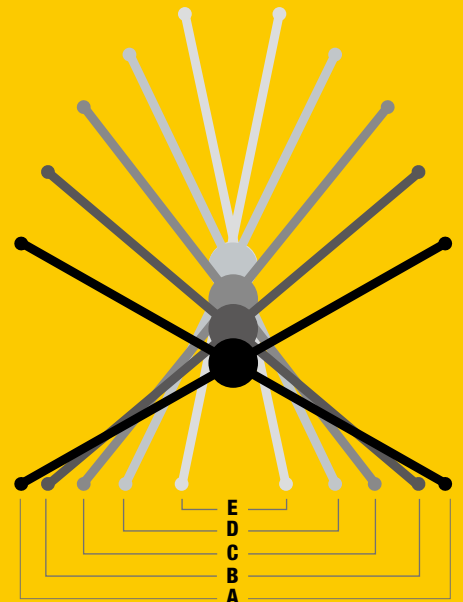
Folded size: 1,033 mm x 515 mm x 110 mm (40.7" x 20.3" x 4.3")



KS110B & KS120B - HEIGHT AND WIDTH SPECIFICATIONS

Position	Height	Width
A	520 mm (20.3")	860 mm (33.5")
B	675 mm (26.3")	750 mm (29.3")
C	805 mm (31.4")	620 mm (24.2")
D	905 mm (35.6")	470 mm (18.3")
E	980 mm (38.6")	290 mm (11.3")

KS110B & KS120B - Height and Width Specifications.



KS210B

EZ-LOK Double Tier X-Keyboard Stand

Features

- » EZ-LOK System with 4-height settings
- » Heavy-duty round and square steel tubes with a durable finish
- » Adjustable rubber foot provides stability

Specifications

Height/Width (Second Height):

610/810(200)mm, 24"/31.8"(7.8")

750/690(225)mm, 29.5"/27.1"(8.8")

865/550 (250)mm, 34"/21.6"(9.8")

950/390 (300)mm; 37.4"/15.3"(11.8")

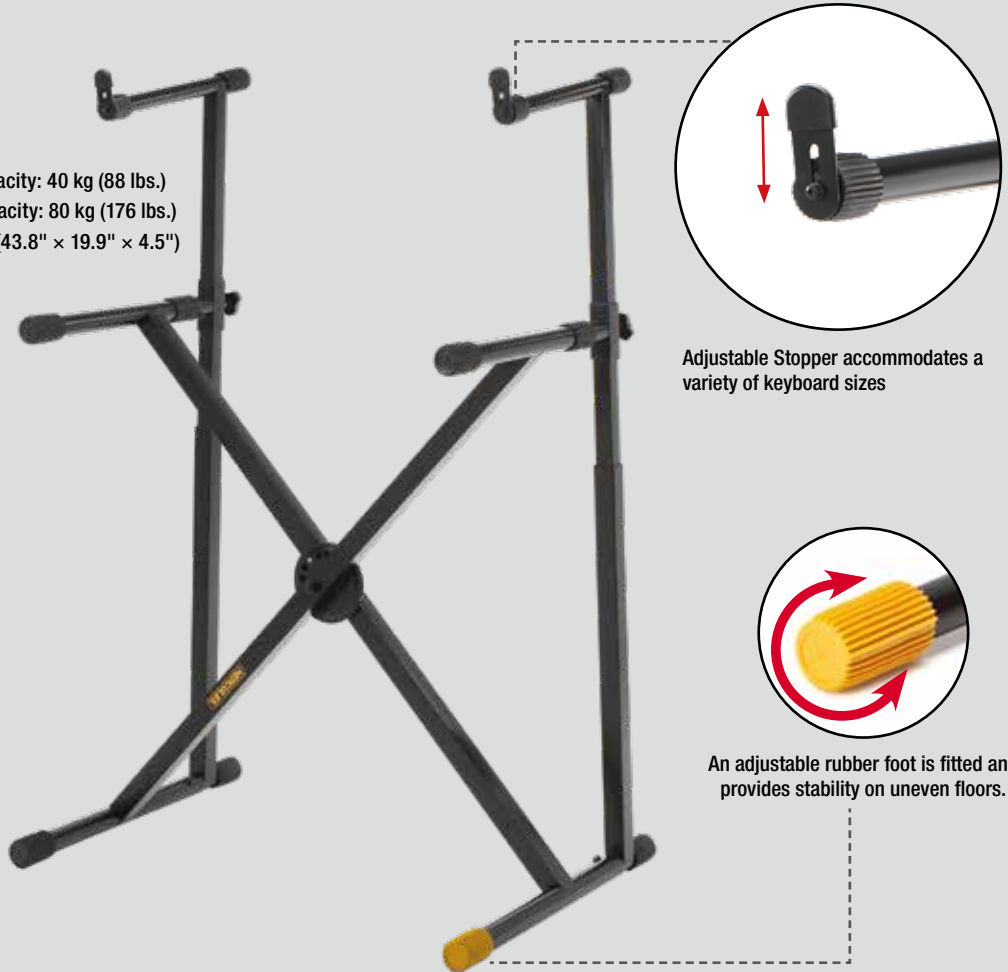
Weight: 8.4 kg (18.5 lbs.)

Upper tier depth: 340 mm (13.4"); Load capacity: 40 kg (88 lbs.)

Lower tier depth: 400 mm (15.7"); Load capacity: 80 kg (176 lbs.)

Folded size: 1,115 mm x 505 mm x 115 mm (43.8" x 19.9" x 4.5")

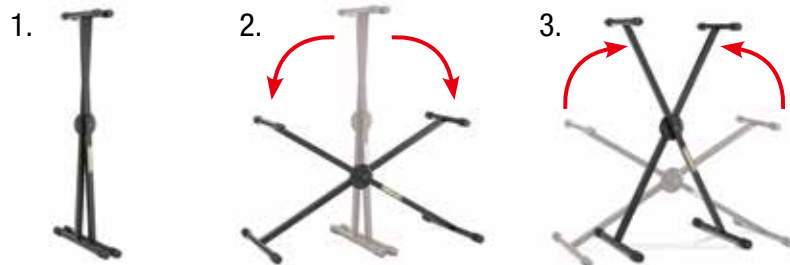
EASY ASSEMBLY
VIDEO



Adjustable Stopper accommodates a variety of keyboard sizes

An adjustable rubber foot is fitted and provides stability on uneven floors.

EZ-LOK



Simply set the stand by: 1st, closing the stand entirely, 2nd opening it all the way to the lowest level and 3rd raising it to the desired height. The EZ-LOK System automatically locks stand into one of five height settings. No more fussing with screws! Repeat above operation 1-3 to reset the height.

KS400B

Autolock Z-Keyboard Stand

Features

- » AutoLock System with AutoLock Lever adjusts height setting easily and is safe and secure
- » Locking Pins and adjustable moving arms for easy set up and tear down
- » The Adjustable Rubber Foot fine tunes height and levels the KS400B for maximum stability

Specifications

Height: 605 mm - 930 mm (23.8" - 36.6")

Width: 510 mm - 850 mm (20" - 33.5")

Weight: 7.5 kg (16.5 lbs.)

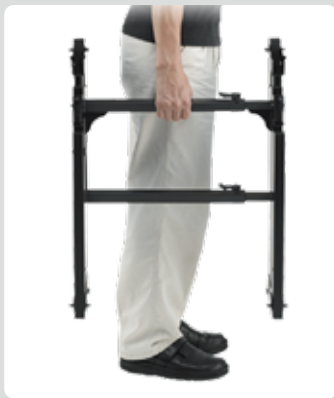
Support depth: 450 mm (17.7")

Load capacity: 130 kg (287 lbs.)

Folded size: 705 mm x 605 mm x 175 mm (27.7" x 23.8" x 6.9")

Height (Lower-Z/Upper): 605-930 / 240-430mm

(23.8" - 36.6" / 9.4" x 16.9")



One-piece design folds up compactly.



Adjustable rubber foot for height fine tuning and stable leveling.



KB200B

EZ Height Adjust Keyboard Bench

Features

- » EZ Height Adjustment lever with 4 height settings
- » Micro Adjuster fine tunes height setting
- » The Adjustable Rubber Foot provides stability on uneven floors

Specifications

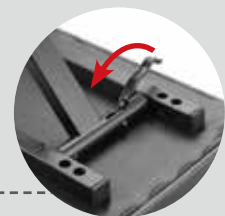
Seat size: 600 mm x 320 mm (23.6" x 12.6")

Height settings: 480 mm, 510 mm, 530 mm, 560 mm
(18.9", 20.1", 20.9", 22")

Weight: 6.5 kg (14.3 lbs.)

Load capacity: 150 kg (331 lbs.)

Folded size: 747 mm x 380 mm x 170 mm
(29.4" x 15" x 6.7")



EZ Height Adjustment

The built-in spring system allows you to quickly jump from one height setting to the next. Just pull the lever to switch between 4 preset seat heights.



Micro Adjuster

The HERCULES Micro Adjuster lets you fine tune the height for more comfortable sitting. Turn the knob for up to 8 cm (3.14") of additional adjustment.

KS410B

Autolock Z-Keyboard Stand w/Tier

Features

- » AutoLock System with AutoLock Lever adjusts height setting easily and is safe and secure
- » Locking Pins and adjustable moving arms for easy set up and tear down
- » The Adjustable Rubber Foot fine tunes height and levels the KS410B for maximum stability

Specifications

Height (Lower-Z/Upper): 605-930 /240-430mm
(23.8" - 36.6"/ 9.4" - 16.9")

Weight: 11.6 kg (25.5 lbs.)

Load Capacity: 130 kg (286 lbs.)

Folded size: 705 mm × 605 mm ×175 mm
(27.7" × 23.8" × 6.9")

Base Z

Specifications

Height: 605 mm - 930 mm (23.8" - 36.6")

Width: 510 mm - 850 mm (20" - 33.5")

Support depth: 450 mm (17.7")

Upper Tier

Specifications

Height: 240 mm - 430 mm (9.4" - 16.9")

Depth: 400 mm (15.7")

Angle: 70°, 90°

Load Capacity: 40 kg (88 lbs.)



Adjustable Stopper accommodates a variety of keyboard sizes



Adjustable rubber foot for height fine tuning and stable leveling.



AutoLock System

- » One touch height setting
- » Lift up both arms and the AutoLock sets securely at required height
- » Press the lever to lower or to pack away



Locking Pins

- » Located on the keyboard resting arms and the stand legs, locking pins allow quick and secure set up
- » To pack away, press the pins and flip out the arms

TOBIAS SAMMET
EDGUY/AVANTASIA



MICROPHONE STANDS

HERCULES Quik-N-EZ microphone stands and booms have innovative designs that are safe, secure, solid and stable.

HERCULES Quik-N-EZ microphone stands offer new and state-of-the-art approaches providing stands that are incredibly versatile and easy to use!

Photo Thorsten Doerr



MS432B

Quick Turn Tripod Microphone Stand w/2-in-1 Boom

Feature

- » Stage Series
- » 2-in-1 Boom Clamp
- » Quick Turn Clutch

Specifications

Height: 875 mm – 1,475 mm (34.4" – 58.1")
 Weight: 2.2 kg (4.9 lbs.)
 Base radius: 340 mm (13.4")
 Boom length: 780 mm (30.7")
 Folded size: 805 mm × 95 mm × 95 mm
 (31.7" × 3.7" × 3.7")



MS434B

Quick Turn Tripod Microphone Stand w/3-in-1 Boom

Feature

- » Stage Series
- » 3-in-1 Boom Clamp
- » Quick Turn Clutch
- » Holds any combination of two microphones, devices, or other content creation accessories

Specifications

Height: 970 mm - 1,680 mm (38.19" – 66.1")
 Weight: 2.4 kg (5.3 lbs.)
 Base Radius: 340 mm (13.4")
 Boom Length: 780 mm (30.7")
 Folded Size: 95 mm x 95 mm x 950 mm
 (3.74" x 3.74" x 37.4")



MS202B

Quick Turn H-Base Microphone Stand

Features

- » Stage Series
- » Quick Turn Clutch
- » HERCULES H-Base

Specifications

Height: 920 mm – 1,680 mm (36.2" – 66.1")
 Weight: 3.4 kg (7.5 lbs.)
 Base radius: 120 mm (4.7")
 Folded size: 910 mm × 266 mm × 35 mm
 (35.8" × 10.5" × 1.4")



Quick Turn Clutch

Quick Turn - Simply turn one quarter for quick and easy height adjustment.



2-in-1 Boom Clamp

Easily adjust boom length and angle at the same time.



3-in-1 Boom Clamp

Simultaneously secures boom length, height and angle with a single adjustment knob.



H-Base

Weighted for maximum stability.

MS531B

EZ Clutch Tripod Microphone Stand

Features

- » EZ Mic Clip, EZ Boom Retainer and EZ Clutch
- » Durable aluminum die-cast base with tripod legs
- » The EZ Mic Clip quickly secures in place and fits all standard size mic stands

Specifications

Height: 1,045 mm - 1,680 mm (41.1" - 66.1")

Weight: 2.6 kg (5.7 lbs.)

Boom length: 780 mm (30.7")

Base radius: 340 mm (13.4")

Folded size: 885 mm × 95 mm × 95 mm
(34.8" × 3.7" × 3.7")



MS532B

EZ Clutch Tripod Microphone Stand

Features

- » EZ Mic Clip, 2-in-1 Boom Clamp and EZ Clutch
- » Durable aluminum die-cast base with tripod legs
- » The EZ Mic Clip quickly secures in place and fits all standard size mic stands.

Specifications

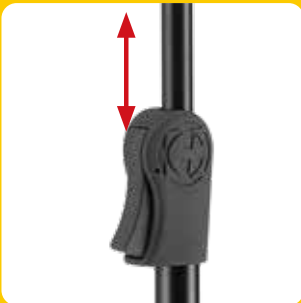
Height: 1,045 mm - 1,680 mm (41.1" - 66.1")

Weight: 2.6 kg (5.7 lbs.)

Base radius: 340 mm (13.4")

Boom length: 780 mm (30.7")

Folded size: 885 mm × 95 mm × 95 mm
(34.8" × 3.7" × 3.7")



EZ Clutch

Press for a quick height adjustment. EZ Clutch releases to lock for secure and stable positioning.



Quik-N-EZ Boom Retainer

Flip the lever of EZ retainer up or down to mount the boom to the floor stand.



2-in-1 Boom Clamp

Easily adjust boom length and angle at the same time.



EZ Mic Clip

The EZ Mic Clip quickly secures in place and fits all standard size mic stands.

MS631B PLUS

EZ Grip Tripod Microphone Stand

Features

- » EZ Mic Clip, EZ Boom Retainer and EZ Grip Height Adjustment
- » EZ Grip Height Adjustment with one hand
- » Durable aluminum die-cast base with tripod legs
- » The EZ Mic Clip quickly secures in place and fits all standard size mic stands

Specifications

Height: 1,115 mm - 1,680 mm (43.9" - 66.1")

Weight: 2.9 kg (6.4 lbs.)

Boom length: 780 mm (30.7")

Base radius: 340 mm (13.4")

Folded size: 925 mm x 90 mm x 90 mm
(36.4" x 3.5" x 3.5")



MS632B PLUS

EZ Grip Height Adjustment Tripod Microphone Stand

Features

- » EZ Mic Clip, 2-in-1 Boom Clamp and EZ Grip Height Adjustment
- » EZ Grip Height Adjustment with one hand
- » Durable aluminum die-cast base with tripod leg
- » The EZ Mic Clip quickly secures in place and fits all standard size mic stands

Specifications

Height: 1,115 mm - 1,680 mm (43.9" - 66.1")

Weight: 2.9 kg (6.4 lbs.)

Base radius: 340 mm (13.4")

Boom length: 780 mm (30.7")

Folded size: 925 mm x 90 mm x 90 mm
(36.4" x 3.5" x 3.5")



EZ Grip Height Adjustment

Adjust with one hand.



Quik-N-EZ Boom Retainer

Flip the lever of EZ retainer up or down to mount the boom to the floor stand.



2-in-1 Boom Clamp

Easily adjust boom length and angle at the same time.



EZ Mic Clip

The EZ Mic Clip quickly secures in place and fits all standard size mic stands.

MS533B

EZ Clutch Tripod Hideaway Microphone Stand

With the Hideaway Boom Stand MS533B can easily be converted to a boom or straight stand.

Features

- » EZ Clutch
- » Hideaway boom with 2-in-1 clamp converts from a straight stand to a boom stand in seconds.
- » The EZ Mic Clip quickly secures in place and fits all standard size mic stands.

Specifications

Height: 1,070 mm - 2,400 mm (42.1" - 94.5")

Weight: 2.6 kg (5.7 lbs.)

Boom length: 780 mm (30.7")

Base radius: 340 mm (13.4")

Folded size: 980 mm × 95 mm × 95 mm (38" × 3.7" × 3.7")



MS523B PRO

EZ Clutch Tripod Hideaway Microphone Stand

Features

- » EZ Clutch
- » Hideaway boom with 2-in-1 clamp converts from a straight stand to a boom stand in seconds.
- » Power Lock Lever to secure the optimal boom arm positioning, with short telescopic arm.
- » The EZ Mic Clip quickly secures in place and fits all standard size mic stands.

Specifications

Height: 1,070 mm - 2,400 mm (38" - 95")

Weight: 2.4 kg (5.3 lbs.)

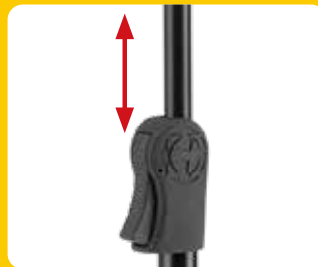
Boom Length: 440 mm – 780 mm (17.3" – 30.7")

Base Radius: 340 mm (12.8")



Hideaway Boom

Converts easily and quickly to either a boom or straight microphone stand.



EZ Clutch

Press for a quick height adjustment. EZ Clutch releases to lock for secure and stable positioning.



EZ Mic Clip

The EZ Mic Clip quickly secures in place and fits all standard size mic stands.



Power Lock Lever

For Sturdy & Secure Height Adjustment.

MS401B PLUS

Transformer Microphone Stand

Features

- » Swivel legs adjust easily and offer versatile positioning
- » EZ Grip height adjustment with one hand
- » Tilting base and swivel leg
- » The EZ Mic Clip quickly secures in place and fits all standard size mic stands

Specifications

Height: 1,030 mm - 1,680 mm (40.6" - 66.1")
 Weight: 4.2 kg (9.3 lbs.)
 Base radius: 370 mm (14.6")
 Folded size: 970 mm x 125 mm x 103 mm
 (38.2" x 4.9" x 4")



MS201B PLUS

"H" Base Microphone Stand

Features

- » EZ Grip height adjustment with one hand
- » Weighted HERCULES H-Base
- » The EZ Mic Clip quickly secures in place and fits all standard size mic stands

Specifications

Height: 1,010 mm - 1,680 mm (40.2" - 66.1")
 Weight: 4.3 kg (9.5 lbs.)
 Base radius: 120 mm (4.7")
 Folded size: 970 mm x 360 mm x 70 mm
 (38.2" x 14.2" x 2.8")



Tilting Base and Swivel Legs

Smoothly adjusts to any angle (45° to 90° angles are recommended).



EZ Grip Height Adjustment

Adjust with one hand.



H-Base

Weighted for maximum stability.

MS120B

Low Profile H-Base Microphone Stand

Features

- » Optimally weighted H-Base allows for increased stability.
- » Low profile height adjustment with short telescopic boom arm that is space saving for micing bass drums, snare drums, floor toms, amplifiers, and more.
- » The EZ Mic Clip quickly secures in place and fits all standard size mic stands.

Specifications

Height: 355 mm (14.0")

Weight: 2.9 kg (6.4 lbs.)

Boom length: 440 mm - 800 mm (16.9" - 30.3")

Base radius: 90 mm (3.9")

Folded size: 470 mm × 375 mm × 110 mm
(18.5" × 14.8" × 4.3")



MS120B PRO

Low Profile H-Base Microphone Stand

Features

- » Optimally weighted H-Base allows for increased stability.
- » Low profile height adjustment with short telescopic boom arm that is space saving for micing bass drums, snare drums, floor toms, amplifiers, and more.
- » Power Lock Lever to secure the optimal boom arm positioning.
- » The EZ Mic Clip quickly secures in place and fits all standard size mic stands.

Specifications

Height: 310 mm – 420 mm (12.5" - 16.75")

Weight: 3.7 kg (8.2 lbs.)

H- Base Weight: 3KG (6.6 lbs.)

Boom Length: 440 mm – 800 mm (17.3" – 31.5")

Base Radius: 120 mm (4.7")



MS540B

Low Profile Tripod Microphone Stand

Features

- » Lower profile height for drum set, amplifier, and podcasting applications.
- » Quik-N-EZ Boom Retainer for instant attachment with short telescopic boom arm.
- » The EZ Mic Clip quickly secures in place.

Specifications

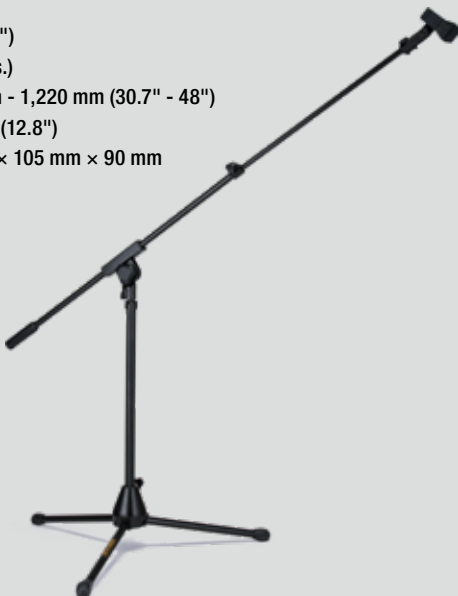
Height: 655 mm (25.8")

Weight: 2.1 kg (4.7 lbs.)

Boom length: 780 mm - 1,220 mm (30.7" - 48")

Base radius: 340 mm (12.8")

Folded size: 782 mm × 105 mm × 90 mm
(30.8" × 4.1" × 3.5")



MS520B PRO

Low Profile Tripod Microphone Stand

Features

- » Lower profile height for drum set, amplifier, and podcasting applications.
- » Power Lock Lever to secure the optimal boom arm positioning.
- » Quik-N-EZ Boom Retainer for instant attachment with short telescopic boom arm.
- » The EZ Mic Clip quickly secures in place and fits all standard size mic stands.

Specifications

Height: 679 mm (26.75")

Weight: 2 kg (4.5 lbs.)

Boom length: 440 mm – 800 mm
(17.3" – 31.5")

Base radius: 340 mm (12.8")

Folded size: 105 mm x 90 mm x 525 mm
(4.1" x 3.5" x 20.7")



MS100B

H-Base Microphone Stand

Features

- » Quik-N-EZ Height Adjustment Lever
- » HERCULES H-Base
- » The Microphone Holder quickly secures in place

Specifications

Height: 280 mm - 445 mm (11" - 17.5")

Weight: 1.6 kg (3.5 lbs.)

Base radius: 80 mm (3.1")

Folded size: 285 mm × 194 mm × 34 mm (11.2" × 7.6" × 1.3")



MS100B PLUS

Tabletop H-Base Microphone Stand

Features

- » EZ Grip height adjustment with only one hand.
- » The Weighted HERCULES H-Base provides exceptional stability with space saving design
- » The EZ Mic Clip quickly secures in place and fits all standard size mic stands.

Specifications

Height: 305 mm - 400 mm (12"- 15.7")

Weight: 1.7 kg (3.7 lbs.)

H-Base Weight: 1 kg (2.2 lbs.)

Load Capacity: 3 kg (6.6 lbs.)

Base Radius: 80 mm (3.1")

Folded Size: 240 mm x 45 mm x 290 mm (9.4" x 1.8" x 11.4")



MS300B

Low Profile Straight Microphone Stand

MS300B is perfect for any low profile application e. g. kick drum

Features

- » Quik-N EZ Height Adjustment Lever.
- » The Tilting Base allows shaft to be set at desired angle (45°-90° recommended).
- » The Wide-Base, Tripod Swivel Legs adjust independently, fit around other equipment easily, and fold up compactly.
- » All-in-one design for easy portability.
- » The EZ Mic Clip quickly secures in place and fits all standard size mic stands.

Specifications

Height: 315 mm - 475 mm (12.4" - 18.7")

Weight: 1 kg (2.2 lbs.)

Base radius: 170 mm (6.7")

Folded size: 310 mm × 98 mm × 72 mm (12.2" × 3.9" × 2.8")



MS300B PLUS

Tabletop Mic Stand, Tripod Base

Features

- » EZ Grip height adjustment with only one hand.
- » The Tilting Base allows shaft to be set at desired angle (45°-90° recommended).
- » The Wide-Base, Tripod Swivel Legs adjust independently, fit around other equipment easily, and fold up compactly.
- » All-in-one design for easy portability.
- » The EZ Mic Clip quickly secures in place and fits all standard size mic stands.

Specifications

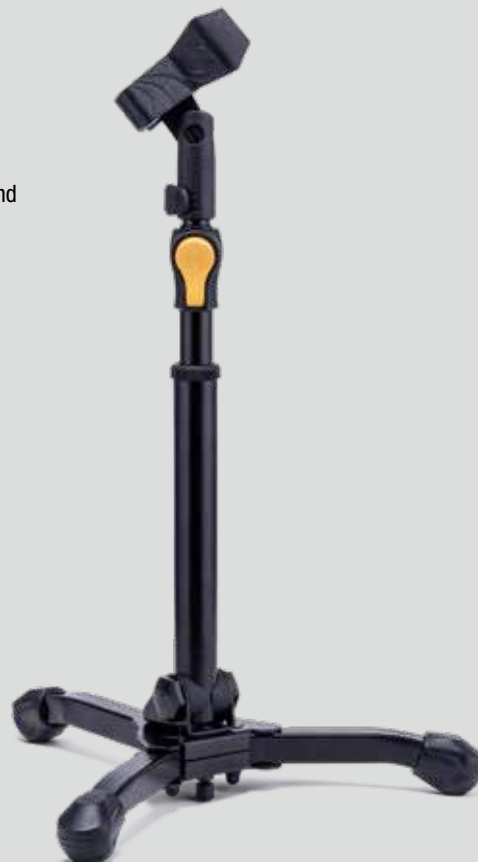
Height: 335 mm - 430 mm (13.2" - 16.9")

Weight: 1.1 kg (2.47 lbs.)

Load Capacity: 3 kg (6.6 lbs.)

Base Radius: 170 mm (6.7")

Folded Size: 98 mm x 72 mm x 310 mm (3.9" x 2.8" x 12.2")



ACCESSORIES

MH100B

EZ Mic Clip

The Microphone Holder quickly secures in place and fits all standard size mic stands.

Features

Fits all mic stands without top washers

Specifications

Accept mic size: 20 mm - 35 mm (0.8" - 1.4") O/D
Fit Tubing: 15.9 mm (0.63")



MH101B

EZ Mic Clip

The EZ Mic Clip quickly secures in place and fits all standard size mic stands.

Features

Fits all mic stands without top washers

Specifications

Accept mic size: 25 mm - 30 mm (1" - 1.1") O/D
Fit Tubing: 15.9 mm (0.63")



MSB001

Speaker & Microphone Stand Bag

Specifications

Before expansion: 1,240 mm x 180 mm x 150 mm (18.8" x 7.1" x 6")

2-pc HERCULES Mic Stand **OR** 1-pc HERCULES Speaker Stand (SS400B/SS410B)

After Expansion: 1,240 mm x 245 mm x 150 mm (18.8" x 9.6" x 6")

4-pc HERCULES Mic Stand **OR** 2-pc HERCULES Speaker Stand (SS400B/SS410B)

OR 1-pc HERCULES Speaker Stand (SS700B/SS710B)

Folded Size: 1240 mm x 180 mm x 150 mm (18.8" x 7.1" x 6")

Load Capacity: 20 kg (44 lbs.)



MH200B

POP Filter

Features

- » Get the best vocal recordings
- » Double layered mesh screen
- » Easy to attach to microphone stands and booms

Specifications

Diameter: 155 mm (6.1")

Gooseneck Length: 340 mm (13.4")

Net Weight: 280 g (0.62 lbs.)

Clipping Range: 14 mm - 30 mm (0.6" - 1.1")



HA700

Guitar Strap and Headphone Holder

Features

- » Lightweight and handy
- » Suitable for guitar & music stands

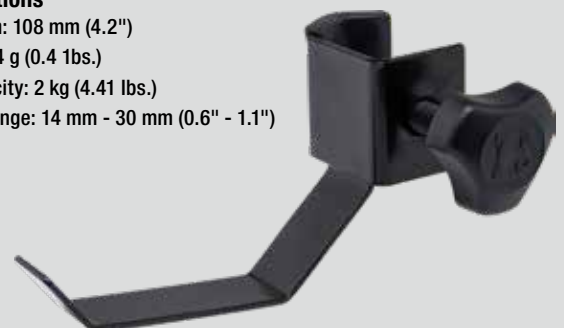
Specifications

Arm Length: 108 mm (4.2")

Weight: 184 g (0.4 lbs.)

Load Capacity: 2 kg (4.41 lbs.)

Clipping Range: 14 mm - 30 mm (0.6" - 1.1")





SPEAKER & LIGHTING STANDS

HERCULES Quik-N-EZ speaker and lighting stands are engineered for easy setups that save time and effort.

HERCULES provides solutions: The Quik-N-EZ Series offers innovative devices that ensure speaker and lighting set up is painless.



SS350B

Adjustable Sub Pole with M20 Hybrid Adaptor

SS350BB

Adjustable Sub Pole With M20 Hybrid Adaptor 2-Pack

The Hercules SS350B adjustable subwoofer pole with retractable M20 thread & 35MM (1-3/8") hybrid adaptor is designed to support a variety of subwoofers and speakers, providing flexibility and stability for different configurations and setups.

Features

- » Fits a wide variety of subwoofers and speakers with a 35mm (1-3/8") pole socket
- » 2-in-1 hybrid retractable M20 thread & 35mm (1-3/8") adaptor fits most subwoofers (Patented)
- » Height adjusts from 35" – 56" to adapt to various venues and applications
- » Height settings secured with safety locking pin and power lock lever keep speakers from slipping
- » Heavy-duty steel construction ensures superior durability and stability.
- » Ideal for touring musicians, backline, and rental companies.

SS350B**Specifications**

Height: 889 mm-1,422 mm (35"-56")

Weight: 2.1 kg (4.63 lbs.)

Material: Steel

Tube Diameter: M20 threaded mount, 1-3/8" blunt end (35mm)

Loading Capacity: 60 kg (132.28 lbs.)

SS350BB**Specifications**

Height: 889 mm-1,422 mm (35"-56")

Weight: 4.6 kg (10.14 lbs.)

Material: Steel

Tube Diameter: M20 threaded mount, 1-3/8" blunt end (35mm)

Loading Capacity: 60 kg (132.28 lbs.)

A Carrying Bag Included.



SS350B

SS350BB

**Power Lock Lever**

For Sturdy & Secure Height Adjustment.

**Hybrid Adaptor (Patented)**

2-in-1 hybrid retractable M20 thread & 35mm (1-3/8") adaptor fits most subwoofers

SS200BB

Speaker Stand Pack

Includes a pair of stands in a sturdy carrying bag that's ideal for backline and rental companies or touring musicians.

Features

- » Smart adaptor for 35/38mm speaker pole sockets
- » Tripod leg housing
- » Safety pin

Specifications

Height: 1,280 mm – 2,050 mm (50.4" – 80.7")

Weight: 4.5 kg (9.9 lbs.)

Base Radius: 660 mm (26")

Load Capacity: 45 kg (99.2 lbs.)

Folded Size: 1,130 mm × 150 mm × 150 mm

(44.5" × 5.9" × 5.9")

Tube Ends: 35 mm (1-3/8")

Speaker Stand Mounts Fitting: 35 mm (1-3/8"), 38 mm (1-1/2")

* Measurement of single stand



Smart Adaptor

The new Smart Adaptor is designed for easy fitting onto 35/38mm (1.38" / 1.5") speaker pole sockets. Simply shift the cover to convert it from a 35mm to a 38mm fitting.



SS400B/SS410B

AutoLock Speaker Stand

The HERCULES Auto Lock Speaker Stand SS400B/SS410B features the Quik-N-EZ Auto Lock System, the built-in metal leg housing, all-aluminum tubes, and a safety pin for security.

Features

- » Quik-N-EZ AutoLock
- » Built-In metal leg housing
- » Lightweight all-aluminum tubes
- » Safety pins

SS400B

Specifications

Height: 1,170 mm - 2,100 mm (46.1" - 82.7")

Weight: 2.9 kg (6.4 lbs.)

Base Radius: 660 mm (26")

Load Capacity: 45 kg (99.2 lbs.)

Folded Size: 1,163 mm × 150 mm × 125 mm (45.8" × 6" × 5")

Tube Ends: 35 mm (1-3/8")

Speaker Stand Mounts Fitting: 35 mm (1-3/8"), 38 mm (1-1/2") with Flange Adaptor

SS410B (Built-in EZ Adaptor)

Specifications

Height: 1,170 mm - 2,100 mm (46.1" - 82.7")

Weight: 3.5 kg (7.7 lbs.)

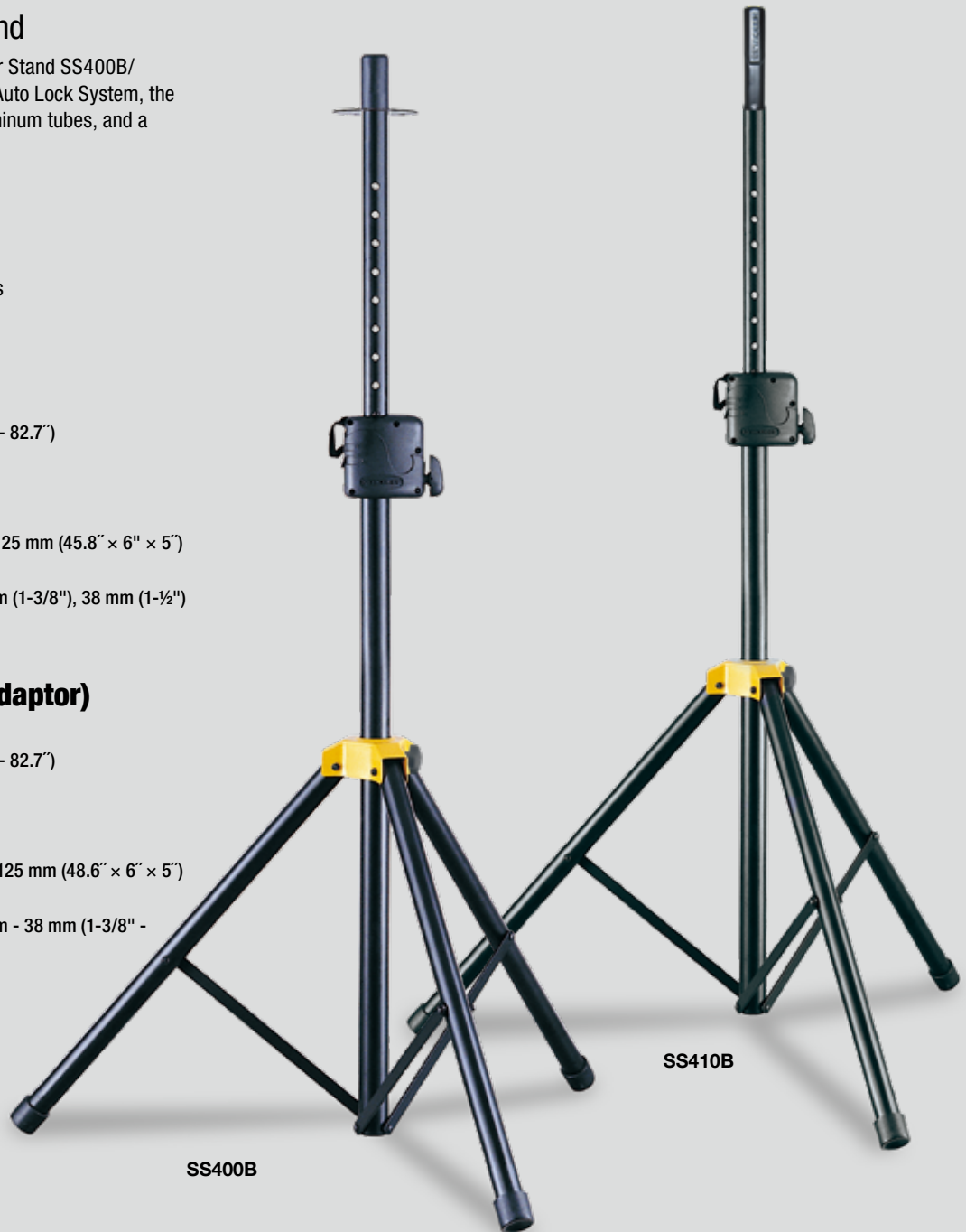
Base Radius: 660 mm (26")

Load Capacity: 45 kg (99.2 lbs.)

Folded Size: 1,235 mm × 150 mm × 125 mm (48.6" × 6" × 5")

Tube Ends: 35 mm (1-3/8")

Speaker Stand Mounts Fitting: 35 mm - 38 mm (1-3/8" - 1-1/2")



SS400B

SS410B

QUIK-N-EZ SERIES

Quik-N-EZ AutoLock

With the knob on "LOCK", the AutoLock allows you to easily lift the upper tube to the desired height as the design stops the speaker from sliding back down.



Lock Position



Unlock Position

SS700B/SS710B

Gear Up Speaker Stand

The HERCULES Gear Up Speaker Stand SS700B/SS710B features the Quick-N-EZ Gear Up System to raise and lower speakers to desired height and securely locks them in place.

Features

- » Quik-N-EZ Gear Up
- » Built-in metal leg housing
- » Lightweight all-aluminum tubes
- » Reinforced dual-brace leg construction

SS700B

Specifications

Height: 1,150 mm - 2,180 mm (45.3" - 85.9")
Weight: 6.2 kg (13.7 lbs.)
Base Radius: 660 mm (26")
Load Capacity: 45 kg (99.2 lbs.)
Folded Size: 1,254 mm x 228 mm x 204 mm (49.4" x 9" x 8.0")

SS710B (Built-in EZ Adaptor)

Specifications

Height: 1,150 mm - 2,180 mm (45.3" - 85.9")
Weight: 6.8 kg (15 lbs.)
Base Radius: 660 mm (26")
Load Capacity: 45 kg (99.2 lbs.)
Folded Size: 1,254 mm x 228 mm x 204 mm
(49.4" x 9" x 8.0")
Tube Ends: 35 mm (1-3/8")
Speaker Stand Mounts Fitting: 35 mm - 38 mm
(1-3/8" - 1-1/2")

WATCH THE VIDEO



SS100B

EZ Adaptor

Features

- » Secures the speaker on the stand
- » Fits speaker bottom holes from 35 mm - 40 mm (1.38" - 1.57").

Specifications

Height: 170 mm (6.7")
Weight: 0.8 kg (1.8 lbs.)
Size: 175 mm x 82 mm x 55 mm (7" x 3.2" x 2.2")
Tube Ends: 35 mm (1-3/8")
Speaker Stand Mounts Fitting: 35 mm - 38 mm (1-3/8" - 1-1/2")



Height Extension Knob



WATCH THE VIDEO



LS700B

Gear Up Lighting Stand

The HERCULES Gear Up Lighting Stand LS700B features the Quick-N-EZ Gear Up System, a square T-bar with clip for easy mounting, and dual-braced tripod leg construction.

Features

- » Quik-N-EZ Gear Up
- » Square steel T-Bar with clip for easy mounting
- » Built-in metal leg housing
- » Lightweight all-aluminum tubes
- » Reinforced dual-brace leg construction

Specifications

Height: 1,640 mm – 3,500 mm (64.6"–137.8")
 Weight: 10.4 kg (22.9 lbs.)
 Base Radius: 920 mm (36.2")
 Load Capacity: 45 kg (99.2 lbs.)
 Folded Size: 1,495 mm x 243 mm x 199 mm (58.9" x 9.6" x 7.8")
 T-Bar Length: 1,220 mm (48")
 Accept Flange at 35 mm (1-3/8")



Quik-N-EZ Gear Up

Drive upper 2 shafts simultaneously and raise a speaker or light to full height quickly and easily.

MSB001

Speaker & Microphone Stand Bag

Specifications

Before expansion: 1,240 mm x 180 mm x 150 mm (18.8" x 7.1" x 6")

2-pc HERCULES Mic Stand **OR** 1-pc HERCULES Speaker Stand (SS400B/SS410B)

After Expansion: 1,240 mm x 245 mm x 150 mm (18.8" x 9.6" x 6")

4-pc HERCULES Mic Stand **OR** 2-pc HERCULES Speaker Stand (SS400B/SS410B)
OR 1-pc HERCULES Speaker Stand (SS700B/SS710B)

Folded Size: 1240 mm x 180 mm x 150 mm (18.8" x 7.1" x 6")

Load Capacity: 20 kg (44 lbs.)





MULTIMEDIA STANDS

HERCULES provides comprehensive solutions for musicians to integrate technology with their music!

HERCULES multimedia stands are developed to meet all the demands of today's musicians accommodating tablets of all sizes, smartphones, laptops and more. Our stands are compatible with various sized and shaped tubes (round or square tubes) as well as table tops, desks, hi-hat stands and more.

Play music freely and flexibly with HERCULES multimedia stands.



DG107B**DG Adaptive Series
Universal Podcast Mic & Camera Arm Stand**

(Supports camera, microphone, DG207B, DG307B)

Features

- » TightVice™ locking & 360° rotating mechanism:
specialized locking mechanism holds device safely and tightly right in place
- » Built-in flexible ball joints and axes:
allows you to adjust the device to any angle that fit you needs
- » Wider support range:
1/4" - 20 camera screw thread, 3/8" mic thread, 3/8" - 5/8" mic thread adaptor
(connecting action cameras like GoPro or compact cameras)
- » More mounting options:
attach on desk, round and square tube for live broadcast, video or photo shooting

Specifications

Clamping Range: 15 mm - 33 mm (0.6" - 1.3")

Net Weight: 720 g (1.59 lbs.)

Load Capacity: 1 kg (2.2 lbs.)

Folded Size: 90 mm X 80 mm X 455 mm

(3.54" X 3.15" X 17.9")

Accessories: Hercules cable wraps included

**WATCH THE VIDEO****ADAPTIVE APPLICATIONS**

TightVice™ locking &
360° rotating mechanism



Wider support range



More mounting options

DG137B

Multi Mount

Features

- » TightVice™ locking & 360° rotating mechanism:
Flexible integrated ball joint allows you to precisely adjust the microphone to your desired position while the specialized clamping mechanism ensures the microphone will remain safely and securely in place.
- » Various Mounting Options:
Fits microphones and other devices.
- » Adaptive Applications:
3/8" mic thread
5/8" adapter

Specifications

Mounting Options: 3/8" Mic Thread, 5/8" Adapter,

Clamping range: 15 mm - 33 mm (0.6" - 1.3")

Net Weight: 380 g (0.84 lbs.)

Load Capacity: 2 kg (4.4 lbs.)

Folded Size: 85 mm x 70 mm x 205 mm (3.3" x 2.8" x 8.1")



Microphone, microphone holder and stand not included.

DG207B

DG Adaptive Series Smartphone Holder

(Supports 4.7" - 6.9" smartphones)

Features

- » TightVice™ locking & 360° rotating mechanism:
specialized locking mechanism holds device safely and tightly right in place. With built-in flexible ball joints and axes, you can adjust the device to any angle that fit you needs
- » Adaptive applications:
universal tripod and lighting connection for live broadcast, video or photo shooting
- » More mounting options:
attach on desk, round and square tube for live broadcast, video or photo shooting

Specifications

Mounting Options:

¼"-20 threaded hole

Cold shoe socket

Adaptive desk/tube clamp

Clamping Range: 15 mm - 33 mm (0.6" - 1.3")

Net Weight: 320 g (0.71 lbs.)

Load Capacity: 1 kg (2.2 lbs.)

Folded Size:

210 mm x 95 mm x 80mm (8.3" x 3.7" x 3.1")



*Smartphone not included.

WATCH THE VIDEO



DG307B

DG Adaptive Series 2-IN-1 Tablet & Phone Holder

(Supports 6.1"-13" smartphone or tablet)

Features

- » TightVice™ locking & 360° rotating mechanism: specialized locking mechanism holds device safely and tightly right in place. With built-in flexible ball joints and axes, you can adjust the device to any angle that fit you needs
- » More mounting options: attach on desk, round and square tube for live broadcast, video or photo shooting

Specifications

Mounting Options:

¼"-20 threaded hole

Adaptive desk/tube clamp

Clamping Range: 15 mm - 33 mm (0.6" - 1.3")

Net Weight: 570 g (1.26 lbs)

Load Capacity: 3 kg (6.6 lbs.)

Folded Size: 260 mm X 95 mm X 115 mm
(10.2" X 3.7" X 4.5")



*Tablet & smartphone not included.

WATCH THE VIDEO



TightVice™ locking & 360° rotating mechanism



DG400BB

Laptop Stand

Features

- » Adjusts easily for perfect height and angle
- » Extra rear-legs provide solid worry-free support to your laptops up to 10 kg (22 lbs.)
- » One-piece design sets-up and tears down easily
- » Lightweight stand folds flat for easy transport and storage
- » Bag included

Specifications

3 Height Settings: 220 mm, 270 mm, 315 mm (8.6", 10.6", 12.4")

Weight: 1.4 kg (3.08 lbs.)

Load Capacity: 10 kg (22 lbs.)

Folded size: 360 mm x 175 mm x 66 mm
(14.1" x 6.9" x 2.6")



EASY ASSEMBLE
VIDEO



MUSIC STANDS

HERCULES Quik-N-EZ music stands are designed for easy tool-free adjustment, are lightweight, and secure.

HERCULES Quik-N-EZ music stands offer innovative solutions providing stands that are incredibly versatile and easy to use.



BS010BB

Desktop Music Stand

Features

- » Compact Folding Desk
- » A specially designed music stand for desktop use brings convenience and easy set up on any flat surface.
- » Four extended page retainers effectively secure sheets or books from slipping off.
- » Adjustable Leg Support
- » With a 180-degree adjustable leg support, users can adjust the music stand to any angle to fit their needs.
- » Non-Slip Rubber Foot
- » The non-slip rubber foot provides stability and prevents scratches on the table surface.

Specifications

Desk: 410 mm x 235 mm (16.1" x 9.3")

Height: 290 mm (11.4")

Weight: 0.52 kg (1.15 lbs.)

Load Capacity: 2 kg (4.41 lbs.)

Folded Size: 90 mm x 50 mm x 430 mm
(3.5" x 1.9" x 16.9")



The storage bag is constructed from environmentally friendly materials. The non-woven fabrics used are recyclable, helping to conserve natural resources.



BS020BB

Compact Music Stand

Features

- » Foldable desk with simple setup and breakdown
- » A specially designed folded lip with page retainers prevents sheets or books from slipping off the desk
- » Easy height adjustment with durable knobs

Specifications

Desk: 545 mm x 355 mm (21.5" x 14")

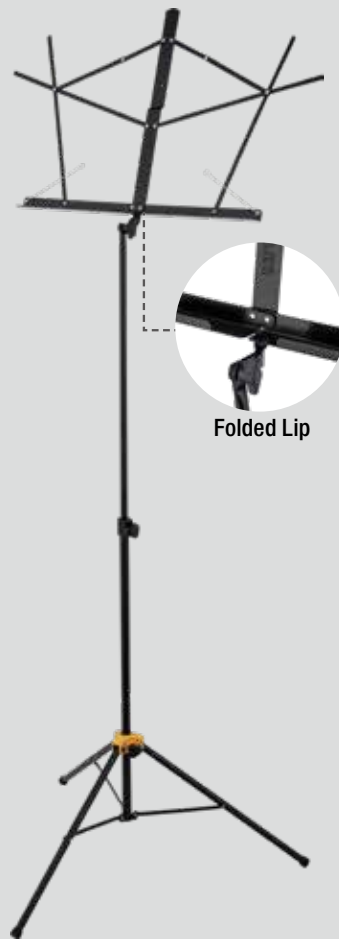
Height: 650 mm - 1,080 mm (25.6" - 42.5")

Weight: 1.1 kg (2.5 lbs.)

Base Radius: 310 mm (12.2")

Load Capacity: 2.5 kg (5.51 lbs.)

Folded Size: 580 mm x 100 mm x 65 mm
(22.8" x 3.9" x 2.6")



The storage bag is constructed from environmentally friendly materials. The non-woven fabrics used are recyclable, helping to conserve natural resources.



BS030BB

Foldable Compact Music Stand

Features

- » Compact folding music desk with 2 page retainers on the shelf sides
- » Strong tripod takes sheet music weighed up to 2.5 kg
- » Durable tube holders and knobs offer great stability and easily stretch to desired height

Specifications

Height: 600 mm - 1,200 mm (23.62" - 47.3")

Weight: 1.1 kg (2.5 lbs.)

Base Radius: 300 mm (11.8")

Load Capacity: 2.5 kg (5.51 lbs.)

Folded Size: 90 mm x 50 mm x 390 mm
(3.6" x 2" x 15.4")



BS050B

3-Section Music Stand

BS050B EZ Desk Music Stand is a lightweight 3-section music stand ideal for use while sitting or standing.

Features

- » EZ Desk
- » 3-section mechanism for low, mid and high level positioning
- » Carry bag Included

Specifications

Desk: 410 mm x 235 mm (16.1" x 9.3")
Height: 530 mm - 1,200 mm (20.8" - 47.2")
Weight: 1.28 kg (2.8 lbs.)
Base radius: 310 mm (12.2")
Load capacity: 2.5 kg (5.5 lbs.)
Folded size: 85 mm x 55 mm x 470 mm
(3.3" x 2.2" x 18.5")



BS100B

2-Section EZ Glide Music Stand

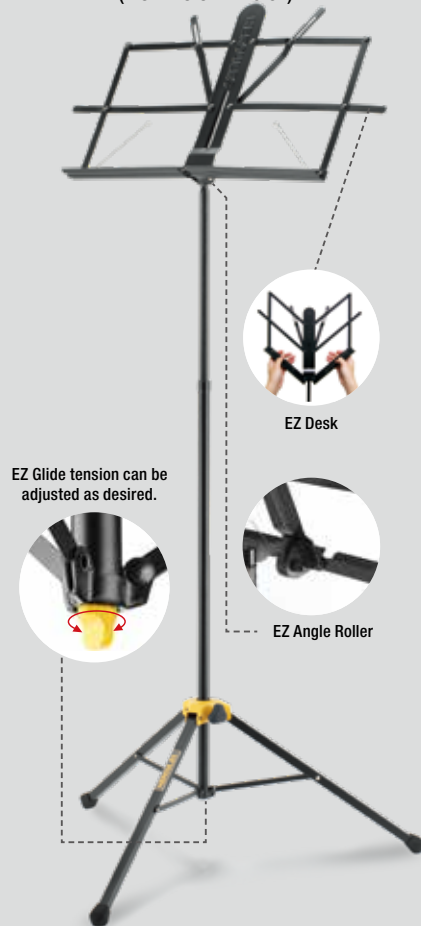
BS100B EZ Glide Music Stand is a lightweight stand ideal for use while sitting or standing.

Features

- » EZ Desk
- » EZ Angle Gripping Roller
- » EZ Glide

Specifications

Desk: 535 mm x 293 mm
(21" x 11.5")
Height: 690 mm - 1,240 mm
(27.1" - 48.8")
Weight: 1.45 kg (3.2 lbs.)
Base radius: 330 mm (13")
Load capacity: 3 kg (6.6 lbs.)
Folded size: 110 mm x 85 mm x 675 mm
(4.3" x 3.3" x 26.5")



BS118BB

3-Section EZ Grip Height Adjustment Music Stand w/Bag

BS118B 3-section EZ Grip Height Adjustment Music Stand w/bag is a 3-section stand ideal for use while sitting or standing.

Features

- » Reinforced desk lip
- » EZ desk
- » EZ Angle Roller
- » EZ Grip Height Adjustment with one hand
- » 3-section mechanism allows for low, mid and high positions
- » Carry bag Included

Specifications

Desk: 535 mm x 293 mm (21" x 11.5")
Height: 550 mm - 1,230 mm (21.7" - 48.4")
Weight: 1.67 kg (3.7 lbs.)
Base radius: 340 mm (13.4")
Load capacity: 2.5 kg (5.5 lbs.)
Folded size: 95 mm x 65 mm x 530 mm
(3.7" x 2.6" x 20.8")



BSB002

Carrying Bag for BS100B

Features

- » Circular zipper for quick access
- » Padded bottom protects the stand

Specifications

Size: 110 mm x 660 mm (4.3" x 26") Load capacity: 6 kg (13.2 lbs.)



THE CORY BAND (UK)

Stands you can TRUST!



QUIK-N-EZ SERIES



Quick-release mechanism

Quick-release desk for fast set up.



EZ Grip Height Adjustment

EZ Grip Height Adjustment with one hand.

BS200B PLUS

Symphony Stand w/ Quick Release Mechanism

Features

- » EZ Grip Height Adjustment with only one hand
- » Unique sturdy leg design
- » Stackable easily in BSC800 carry cart
- » Quick release mechanism for effortless adjustment

Specifications

Height: 690 mm - 1,100 mm (27.2" - 43.3")

Weight: 3.1 kg (6.8 lbs.)

Base radius: 320 mm (12.6")

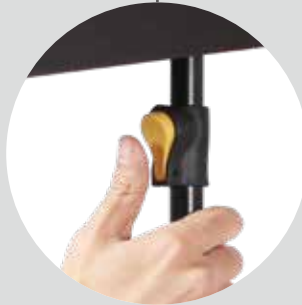
Load Capacity: 5 kg (11 lbs.)

Folded size: 492 mm x 122 mm x 580 mm (19.3" x 4.8" x 22.8")

Desk Size: 480 mm x 345 mm (18.9" x 13.6")



Quick release mechanism for effortless adjustment



EZ Grip Height Adjustment with one hand



Stackable Legs



BSC800

Hercules Carry Cart

Music stand cart carries up to 12 pieces of Hercules BS200B PLUS Symphony stands, great for storing in tight spaces, transports stands easily.

Specifications

Height: 970 mm (38.2")

Weight: 10 kg (22 lbs.)

Load Capacity: 45 kg (99.2 lbs.)

Base radius: 1,100 mm x 500 mm (43.3" x 19.7")

Folded size: 495 mm x 156 mm x 1,044 mm

(19.5" x 6.1" x 41.1")



BS223B

Orchestra Stand

Features

- » Quick-release desk
- » Excellent loading capacity up to 5kg (11 lbs.)
- » EZ grip height adjustment with only one hand
- » Robust solid

Specifications

Height: 740 mm - 1190 mm (29.1" - 46.9")

Weight: 3.1kg (6.8 lbs.)

Desk: 480 mm x 345 mm (18.9" x 13.6")

Base Radius: 345 mm (13.6")

Load Capacity: 5 kg (11 lbs.)

Folded size:

350 mm x 160 mm x 770 mm

(13.8" x 6.3" x 30.3")

**BS243B**

Fourscore Orchestra Stand

Features

- » Quick-release desk that measures to hold more sheet music
- » Excellent loading capacity up to 5 kg (11 lbs.)
- » EZ grip height adjustment with only one hand
- » Robust solid

Specifications

Height: 710 mm - 1140 mm (28" - 44.9")

Desk: 815 mm x 360 mm (32.1" x 14.2")

Weight: 4.4 kg (9.7 lbs.)

Base Radius: 345 mm (13.6")

Load Capacity: 5 kg (11 lbs.)

Folded size:

822 mm x 165 mm x 361 mm

(32.4" x 6.5" x 14.2")



BS418B PLUS

Orchestra Stand, Perforated Desk

Features

- » Perforated aluminum folding desk has page retainers and side locking pins
- » EZ Grip height adjustment with only one hand
- » The EZ Angle Roller with Special Anti-Slip Rubber holds the desk at the desired angle
- » Three-section mechanism allows for lower position

Specifications

Desk: 480 mm x 345 mm (18.9" x 13.6")

Height: 610 mm - 1,150 mm (24" - 45.3")

Weight: 3.1 kg (6.8 lbs.)

Base radius: 345 mm (13.6")

Load capacity: 5 kg (11 lbs.)

Folded size: 680 mm x 130 mm x 215 mm (26.8" x 5.1" x 8.5")



BS408B PLUS

Orchestra Stand, Solid Desk

Features

- » Solid Aluminum Folding Desk has page retainers
- » EZ Grip height adjustment with only one hand
- » The EZ Angle Roller with Special Anti-Slip Rubber holds the desk at the desired angle
- » Three-section mechanism allows for lower position

Specifications

Desk: 480 mm x 345 mm (18.9" x 13.6")

Height: 610 mm - 1,150mm (24" - 45.3")

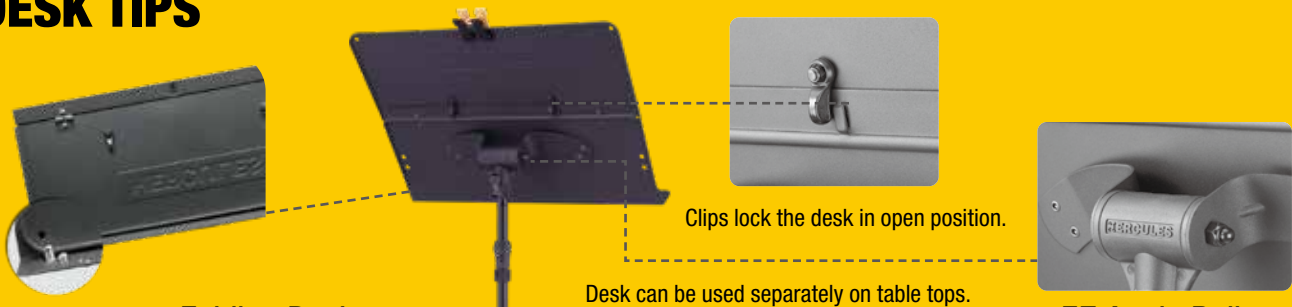
Weight: 3.1 kg (6.8 lbs.)

Base radius: 345 mm (13.6")

Load capacity: 5 kg (11 lbs.)

Folded size: 680 mm x 130 mm x 215 mm (26.8" x 5.1" x 8.5")

DESK TIPS



Folding Desk

Sturdy and light aluminum. Fold the desk in half and secure it with the side locking pin. Press the pin to unfold.

EZ Angle Roller

Simply adjust desk angle.

BS311B

Orchestra Stand, Perforated Desk

Features

- » Aluminum perforated folding desk and page retainer
- » EZ Clutch
- » Tilting base which angles 90° - 75° and swivel legs for crowded stages
- » Open taps for instrument pegs

Specifications

Desk: 480 mm x 345 mm (18.9" x 13.6")
 Height: 680 mm - 1,150 mm (26.8" - 45.3")
 Weight: 3.1 kg (6.8 lbs.)
 Base radius: 390 mm (15.4")
 Load capacity: 5 kg (11 lbs.)
 Folded size: 910 mm x 120 mm x 215 mm (36" x 4.7" x 8.5")

BS301B

Orchestra Stand, Solid Desk

Features

- » Aluminum perforated folding desk and page retainer
- » EZ Clutch
- » Tilting base which angles 90° - 75° and swivel legs for crowded stages
- » Open taps for instrument pegs

Specifications

Desk: 480 mm x 345 mm (18.9" x 13.6")
 Height: 680 mm - 1,150 mm (26.8" - 45.3")
 Weight: 3.1 kg (6.8 lbs.)
 Base radius: 390 mm (15.4")
 Load capacity: 5 kg (11 lbs.)
 Folded size: 910 mm x 120 mm x 215 mm (36" x 4.7" x 8.5")



Open taps for peg

2 additional instrument peg holes allow the fitting of various pegs to store an instrument on the stand.



* Peg not included.

Tilting Base and Swivel Legs

The base can be angled 90° to 75° for comfortable positioning.

Swivel legs fit around other equipment, perfect for crowded stages.



Locking Ring - Simply pull up the locking ring to release legs for packing.



EZ Clutch - Press for a quick height adjustment.

HA103

Accessory Tray

Features

- » Easy mounting to the music stand
- » Access from both sides
- » Non-slip pad keep your items safe from falling



DS800B

Percussion Table Stand

Designed to safely support dozens of percussion and accessories items for all kinds of performances.

Features

- » High density wave foam and rubber edge
- » Foam is removable and replaceable
- » Table height is adjustable and ranges from 560 mm - 920 mm (22" - 36.2")

*Wave foam is replaceable if required.

Specifications

Height: 560 mm - 920 mm (22" - 36.2")

Weight: 4.8 kg (10.6 lbs.)

Base radius: 385 mm (15.2")

Load capacity: 25 kg (55.1 lbs.)

Folded size: 615 mm × 130 mm × 485 mm
(24.2" × 5.1" × 19")

Table size: 470 mm x 600 mm (18.5" x 23.6")



BSB001**Carrying Bag**

BS301B/ BS311B/ BS408B PLUS/ BS418B PLUS

Also fits 2 of the following: DS520B, DS561B, DS538B, DS537B, DS535B, and DS536B.

**Please note that the 2 DS535B or DS536B stands should be put into the bag facing opposite directions.*

Features

- » Separate compartments for desk and stand to prevent scratching
- » Padded bottom protects the stand

Specifications

Size: 850mm × 130 mm × 210 mm (33.5" × 5.1" × 8.3")

Load capacity: 15 kg (33 lbs.)

**HA100****Mute Holder****Features**

- » Designed to hold cornet, trumpet, trombone and French horn mutes
- » Ideal for keeping up to four mutes in a convenient and safe position during performances or practice.
- » Easy to use and adjust

Specifications

Weight: 0.5 kg (1.2 lbs.)

Load capacity: 5 kg (11 lbs.)

Folded size: 250 mm × 110 mm × 85 mm
(9.8" × 4.3" × 3.3")

Ring diameters:

74 mm (2.92") x 1

63 mm (2.48") x 2

47.5 mm (1.87") x 1



Detachable accessory tray included.





WIND & STRINGED INSTRUMENT STANDS

HERCULES EZ-SAFE wind and stringed instrument stands are engineered with innovative safety features that keep all your valuable instruments safe and secure.

DS630BB

AGS Alto/Tenor Saxophone Stand

Features

- » Unique AGS (Auto Grip System) design
- » Adjustable backrest
- » Locking pins on leg housing for easy transportation
- » Two extra peg holes on the leg

Specifications

Height: 430 mm (16.9")
 Weight: 0.98 kg (2.2 lbs.)
 Base Radius: 260 mm (10.2")
 Load Capacity: 10 kg (22 lbs.)
 Folded Size: 115 mm × 100 mm × 310 mm
 (4.5" x 3.9" x 12.2")



DS730B

Tall AGS Alto/Tenor Saxophone Stand

Features

- » Unique AGS (Auto Grip System) design
- » Adjustable backrest
- » Fits in GSB001 carry bag

Specifications

Height: 925 mm - 1,325 mm (36.4" - 52.2")
 Weight: 1.93 kg (4.3 lbs.)
 Base Radius: 355 mm (14")
 Load Capacity: 10 kg (22 lbs.)
 Folded Size: 155 mm x 125 mm x 500 mm
 (6.1" x 4.9" x 19.7")

* Could fit in GSB001 carrying bag.



AUTO GRIP SYSTEM

The Auto Grip System (AGS) is driven by the weight of the Saxophone. When placing the bell on the trigger of the yoke, the arms slide down to secure the saxophone. When ready to play, simply lift up the instrument and the AGS releases automatically.



The storage bag is constructed from environmentally friendly materials. The non-woven fabrics used are recyclable, helping to conserve natural resources. On DS510BB, DS531BB, DS543BB, DS550BB, DS640BB, DS630BB, DS513BB, DS530BB, DS532BB, DS533BB, DS571BB, DS562BB.



DS530BB

Alto/Tenor Saxophone Stand

Features

- » Folding yoke
- » Adjustable backrest
- » Locking pins on leg housing for packing

Specifications

Height: 420 mm (16.5")
 Weight: 0.98 kg (2.2 lbs.)
 Base radius: 260 mm (10.2")
 Load capacity: 10 kg (22 lbs.)
 Folded size: 140 mm x 105 mm x 320 mm
 (5.5" x 4.1" x 12.6")



DS532BB

Alto/Tenor Saxophone, Flute/Clarinet Stand

Features

- » Folding yoke
- » Adjustable backrest
- » Locking pins on leg housing for packing
- » Velvet flute/clarinet combo peg

Specifications

Height: 420 mm (16.5")
 Weight: 1.05 kg (2.3 lbs.)
 Base Radius: 260 mm (10.2")
 Load Capacity: 10 kg (22 lbs.)
 Folded Size: 140 mm x 105 mm x 320 mm
 (5.5" x 4.1" x 12.6")



DS533BB

Alto/Tenor, Soprano Saxophone Stand

Features

- » Folding yoke
- » Adjustable backrest
- » Locking pins on leg housing for packing
- » Velvet adjustable soprano saxophone peg

Specifications

Height: 420 mm (16.5")
 Weight: 1.22 kg (2.68 lbs.)
 Base Radius: 260 mm (10.2")
 Load Capacity: 10 kg (22 lbs.)
 Folded Size: 140 mm x 105 mm x 320 mm
 (5.5" x 4.1" x 12.6")

EZ-SAFE

Folding Yoke

The Folding Yoke sets up and packs down in seconds with a securing pin. Covered with SFF rubber to protect your instrument.



Adjustable Alto/Tenor Saxophone Backrest

Flip up the backrest to change positions instantly thus accommodating alto and tenor saxophone, and allowing one-piece packing. Covered with SFF rubber.



DS531BB

Soprano Saxophone Stand

Features

- » Velvet soprano saxophone peg
- » Swivel legs
- » Detachable peg for compact storage

*Also holds flugelhorn

Specifications

Height: 350 mm (13.8")
 Weight: 0.67 kg (1.41 lbs.)
 Base Radius: 170 mm (6.7")
 Load Capacity: 5 kg (11 lbs.)
 Folded Size: 138 mm x 96 mm x 338 mm
 (5.4" x 3.8" x 13.3")

**DS537B**

Duo Alto/Tenor Saxophone Stand

Features

- » Folding Yokes
- » Adjustable alto/tenor saxophone backrests
- » Locking pins on leg housing
- » One-piece design folds up compactly

Specifications

Height: 395 mm (15.6")
 Weight: 1.77 kg (3.9 lbs.)
 Base Radius: 730 mm x 330 mm (28.7" x 13")
 Load Capacity: 20 kg (44 lbs.)
 Folded Size: 170 mm x 160 mm x 400 mm (6.7" x 6.3" x 15.7")

**DS538B**

Alto/Tenor, Soprano Saxophone and Flute/Clarinet Stand

Features

- » Folding yokes
- » Adjustable alto/tenor saxophone backrests
- » Locking Pins on leg housing
- » One-piece design folds up compactly
- » Three additional peg holes for the included saxophone and flute/clarinet pegs

Specifications

Height: 395 mm (15.6")
 Weight: 2.13 kg (4.7 lbs.)
 Base Radius: 730 mm x 330 mm
 (28.7" x 13")
 Load Capacity: 20 kg (44 lbs.)
 Folded Size: 170 mm x 160 mm x 400 mm
 (6.7" x 6.3" x 15.7")



DS535B

Baritone Saxophone Stand

Features

- » Folding yoke
- » Lever height adjuster
- » Adjustable backrest
- » Swivel legs

Specifications

Height: 635 mm – 875 mm (25" - 34.4")

Weight: 2.1 kg (4.6 lbs.)

Base Radius: 360 mm (14.2")

Load Capacity: 20 kg (44 lbs.)

Folded Size: 190 mm × 180 mm × 485 mm
(7.5" x 7" x 19")



To release EZ pin, slide the pin up and fold the upper post. To fold the legs, simply press the pins.



DS536B

Baritone and Alto/Tenor Saxophone Stand

Features

- » Folding yoke
- » Lever height adjustment
- » Adjustable backrest
- » Extra peg for alto or tenor saxophone
- » Swivel legs

Specifications

Height: 635 mm – 875 mm (25" – 34.4")

Weight: 2.4 kg (5.4 lbs.)

Base Radius: 360 mm (14.2")

Load Capacity: 20 kg (44 lbs.)

Folded Size: 190 mm × 180 mm × 485 mm
(7.5" x 7" x 19")



Flip the backrest up to adjust the position; Securely holds different types of baritone saxophones.



DS640BB

Flute/Clarinet Stand

Features

- » Velvet telescopic peg
- » Fits flutes and both French and German clarinets
- » Detachable peg for compact packing

Specifications

Height: 265 mm (10.4")

Weight: 0.5 kg (1.1 lbs.)

Base Radius: 135 mm (5.3")

Load Capacity: 5 kg (11 lbs.)

Folded Size: 99 mm × 79 mm × 214 mm (3.8" × 3.1" × 8.4")

**Telescopic peg**

The tapered peg shape and the self-shortening spring work together to ensure a snug fit and extra stability for long, tall instruments.

DS543BB

Flute, Clarinet and Piccolo Stand

Features

- » Two flute/clarinet combo pegs
- » One piccolo peg
- » Swivel legs
- » Detachable pegs for compact packing

Specifications

Height: 220 mm (8.7")

Weight: 0.7 kg (1.5 lbs.)

Base Radius: 170 mm (6.7")

Load Capacity: 15 kg (33.1 lbs.)

Folded Size: 100 mm × 80 mm × 207 mm (3.9" × 3.1" × 8.1")



DS562BB

Alto Flute Stand

Features

- » Detachable peg design for easy storage
- » Easy set up
- » Sturdy construction
- » Two additional instrument peg holes

Specifications

Height: 345 mm (13.6")

Weight: 0.68 kg (1.5 lbs.)

Base Radius: 200 mm (7.87")

Load Capacity: 5 kg (11 lbs.)

Folded Size: 105 mm × 75 mm × 320 mm (3.6" × 3" × 12.5")



TAPS ON THE STANDS

MODEL NO.	PEGS INCLUDED (QTY)	EXTRA OPEN TAPS	EXTRA OPEN TAPS QTY
DS510BB	1	N	-
DS513BB	3	N	-
DS530BB	0	Y	2
DS531BB	1	N	-
DS532BB	1	Y	1
DS533BB	1	Y	1
DS535B	0	Y	2**
DS536B	1	Y	1
DS537B	0	Y	1
DS538B	3	N	-
DS543BB	3	N	-
DS561B	0	Y	2
DS562BB	1	Y	2
DS640BB	1	N	-

* All taps can accommodate any add-on pegs including DS501B, DS503B, DS504B, DS602B.

** One only fit alto/ tenor saxophone peg.



DS561B

Bass Clarinet/Bassoon stand

Features

- » Multi-functional yoke
- » Base rest
- » Lever height adjuster

Specifications

Height: 670 mm - 1,010 mm (26.4" - 39.8")

Weight: 2.03 kg (4.5 lbs.)

Base Radius: 450 mm (17.7")

Load Capacity: 15 kg (33.1 lbs.)

Folded Size: 162 mm x 160 mm x 643 mm (6.3" x 6.3" x 25.3")



Multi-Function Display

The bass clarinet can be placed facing towards or away from the stand for both playing and display purposes. The unique base rest allows the bass clarinet to be held securely even with end pin extended.

PEGS



DS501B
Velvet Peg for
Trumpet / Cornet

Specifications
Top diameter:
25 mm (0.98")



DS503B
Velvet Peg for Soprano
Saxophone / Flugelhorn

Specifications
Top diameter:
40 mm (1.57")



DS504B
Velvet Peg for Piccolo

Specifications
Diameter: 10 mm (0.39")
Length from base:
122 mm (4.8")



DS602B
Velvet Peg for Flutes and
French/German Clarinets

Specifications
Diameter: 19 mm (0.75")
Length: 150 mm - 212 mm (5.9" - 8.35")

DS510BB

Trumpet/Cornet Stand

Features

- » Velvet peg
- » Solid swivel legs
- » Detachable pegs for compact storage

Specifications

Height: 350 mm (13.8")

Weight: 0.67 kg (1.47 lbs.)

Base Radius: 170 mm (6.7")

Load Capacity: 5 kg (11 lbs.)

Folded Size: 138 mm × 96 mm × 338 mm
(5.4" × 3.8" × 13.3")



DS531BB

Flugelhorn Stand

Features

- » Adjustable velvet flugelhorn peg
- » Swivel legs
- » Detachable pegs for compact storage
- » Also holds soprano saxophones

Specifications

Height: 350 mm (13.8")

Weight: 0.64 kg (1.41 lbs.)

Base Radius: 170 mm (6.7")

Load Capacity: 5 kg (11 lbs.)

Folded Size: 138 mm × 96 mm × 338 mm
(5.4" × 3.8" × 13.3")



DS513BB

Trumpet, Cornet and Flugelhorn Stand

Features

- » Pegs for trumpets/cornets
- » One peg for flugelhorn
- » Swivel legs
- » Detachable pegs for compact storage

Specifications

Height: 350 mm (13.8")

Weight: 1.18 kg (2.6 lbs.)

Base Radius: 260 mm (10.2")

Load Capacity: 15 kg (33.1 lbs.)

Folded Size: 138 mm × 96 mm × 338 mm (5.4" × 3.8" × 13.3")

DS520B**Trombone Stand****Features**

- » Velvet coated EZ Top Bracket
- » Securely holds slide braces adjustable
- » Fits in GSB001 carrying bag

Specifications

Height: 860 mm (33.8")

Weight: 1.6 kg (3.5 lbs.)

Base Radius: 300 mm (11.8")

Load Capacity: 5 kg (11 lbs.)

Folded Size: 135 mm x 115 mm x 790 mm
(5.3" x 4.5" x 31.1")

**EZ Top Bracket**

Two beveled slots secure the slide braces. Adjust the width by twisting the center hand knob.

DS550BB**French Horn Stand****Features**

- » Yokes and backrest coated with Specially Formulated Foam Rubber
- » 3 locking pins on the leg housing
- » One-piece design folds up compactly

Specifications

Height: 320 mm (12.6")

Weight: 0.9 kg (2.1 lbs.)

Base Radius: 220 mm (8.7")

Load Capacity: 10 kg (22 lbs.)

Folded Size: 100 mm x 82 mm x 285 mm
(4" x 3.2" x 11.2")

Yoke Length: 60 mm (2.4")



DS551B

Sousaphone Stand

Features

- » Yokes and backrest coated with Specially Formulated Foam Rubber
- » Heavy-duty structure
- » Tripod legs for stability
- » Locking pins
- » Fast and secure setup
- » One-piece design folds up compactly

Specifications

Height: 1,110 mm (43.7")

Weight: 4.7 kg (10.3 lbs.)

Base Radius: 390 mm (15.4")

Load Capacity: 30 kg (66.1 lbs.)

Folded Size: 850 mm × 260 mm × 233 mm
(33.4" × 10.2" × 9.1")



DS552B

Tuba/Euphonium Baritone Horn/Alto Horn Stand

Features

- » Heavy-duty stand supports low brass instruments
- » Strong all-in-one compact design
- » Extended supports accommodate different sized instruments

Specifications

Height: 915 mm - 1,075 mm (36" - 42.3")

Weight: 4.75 kg (10.5 lbs.)

Base Radius: 420 mm (16.5")

Load Capacity: 30 kg (66.1 lbs.)

Folded Size: 275 mm x 175 mm x 535 mm
(10.8" x 6.9" x 21.1")



DS553B**Tuba Performer Stand**

The DS553B was specially designed for student and professional musicians alike to safely support the tuba whether practicing or performing.

Features

- » Adjustable 3-position support
- » Strong, low-profile legs

Specifications

Height: 400 mm - 610 mm (15.7" - 24.0")

Weight: 2.05 kg (4.5 lbs.)

Load Capacity: 25 kg (55.1 lbs.)

Base Radius: 235 mm (9.25")

Folded Size: 106 mm × 101 mm × 585 mm (4.2" × 4" × 23")



FOR STUDENTS
Makes practice enjoyable by helping
with positioning, breathing and posture



FOR PROFESSIONAL MUSICIANS
Provides full flexible support and
reduces neck and shoulder tension

The TravLite™ Series is designed for touring musicians who need light, portable and solid stands that can securely hold their valuable instrument. HERCULES TravLite stands store easily in the case, and hold the instrument securely.

DS431B

Alto Saxophone In-Bell Stand

Specifications

Height: 350 mm (13.8")
 Weight: 0.38 kg (0.8 lbs.)
 Base Radius: 220 mm (8.7")
 Load Capacity: 15 kg (33.1 lbs.)
 Folded Size: 75 mm x 70 mm x 265 mm (3" x 2.8" x 10.4")



DS432B

Tenor Saxophone In-Bell Stand

Specifications

Height: 440 mm (17.3")
 Weight: 0.4 kg (0.9 lbs.)
 Base Radius: 260 mm (10.2")
 Load Capacity: 15 kg (33.1 lbs.)
 Folded Size: 75 mm x 70 mm x 345 mm
 (3" x 2.8" x 13.6")



Stand folds quickly and smoothly slips into the bell. A velvet bag is included for protection and easier inside the bell access.

EASY ASSEMBLE VIDEO



DS440B

Clarinet In-Bell Stand

Features

- » Solid construction
- » Sturdy, lightweight and folds up compactly
- » Velvet pads protect the bell

Specifications

Height: 170 mm (6.7")
 Weight: 0.1 kg (0.2 lbs.)
 Base Radius: 115 mm (4.5")
 Load Capacity: 3 kg (6.6 lbs.)
 Folded Size: 60 mm x 60 mm x 115 mm
 (2.4" x 2.4" x 4.5")



Stores securely inside the bell for easy transport

EASY ASSEMBLE VIDEO



DS460B

Flute In-Footjoint Stand

Features

- » Sets up easily
- » Solid, secure, folds and fits inside the footjoint

Specifications

- Height: 148 mm (5.8")
- Weight: 0.1 kg (0.2 lbs.)
- Base Radius: 165 mm (6.5")
- Load Capacity: 2.5 kg (5.5 lbs.)
- Folded Size: 40 mm x 40 mm x 173 mm
(1.6" x 1.6" x 6.8")



Stand tucks away inside footjoint for the ultimate in compact storage



DS461B

Low B Flute In-Footjoint Stand

Features

- » Sets up easily
- » Solid, secure, folds and fits inside the footjoint

Specifications

- Height: 175 mm (6.9")
- Weight: 0.1kg (0.2 lbs.)
- Base Radius: 165 mm (6.5")
- Load Capacity: 2.5 kg (5.5 lbs.)
- Folded Size: 40 mm x 40 mm x 173 mm
(1.6" x 1.6" x 6.8")



Stand tucks away inside footjoint for the ultimate in compact storage



EASY ASSEMBLE VIDEO



DS410B

Trumpet In-Bell Stand

Features

- » Sturdy lightweight construction
- » Secure and safe storage
- » Folded, DS410B stores easily in velvet bag inside bell

Specifications

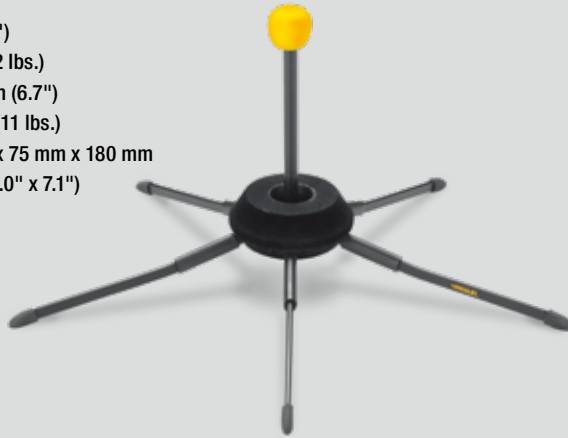
Height: 175 mm (6.9")

Weight: 0.28 kg (0.62 lbs.)

Base Radius: 170 mm (6.7")

Load Capacity: 5 kg (11 lbs.)

Folded Size: 75 mm x 75 mm x 180 mm
(3.0" x 3.0" x 7.1")



Slip into bell. A velvet bag is included for better protection and easier access inside the bell.



EASY ASSEMBLE
VIDEO



DS420B

Trombone In-Bell Stand

Features

- » Sturdy lightweight construction
- » Secure and safe storage
- » Folded, DS420B stores easily in velvet bag inside bell of instrument

Specifications

Height: 870 mm (34.2")

Weight: 1.23 kg (2.71 lbs.)

Base Radius: 280 mm (11")

Load Capacity: 5 kg (11 lbs.)

Folded Size: 126 mm x 121 mm x 547 mm
(5" x 4.8" x 21.5")



Telescopic Tube

Height extender allows easy access during use and compact packing and storage

EASY ASSEMBLE
VIDEO



Stores perfectly inside the bell
Velvet bag is included

DS580B

Cello Stand

Features

- » AGS yoke
- » Special Formulated Foam Rubber covered legs
- » Extender accommodates increased stand height
- » Instrument can be stored with end-pin in playing position
- » Bow hook
- » Instant Height Adjustment Clutch with locking pin adjusts stand height quickly, easily and securely

Specifications

Height: 920 mm - 1,200 mm (36.2" - 49.6")

Weight: 2.18 kg (4.8 lbs.)

Base Radius: 450 mm (17.7")

Load Capacity: 15 kg (33 lbs.)

Folded Size: 182 mm x 125 mm x 712 mm
(7.2" x 5" x 28")

Fits ¼, ⅜, ½, ¾, ⅞ and full size cellos

* Could fit in GSB001 carrying bag.



Auto Grip System (AGS)

Cradle the cello peg box on the AGS. The weight of the cello lifts the front levers, securing the instrument on to the stand. Lift the instrument to release.



DS590B

Double Bass Stand

Features

- » Sturdy steel construction
- » 2 locking pins for secure and easy set up
- » Bow hook
- » One-piece folding design

Specifications

Height: 900 mm (35.4")

Weight: 3.47 kg (7.63 lbs.)

Base Radius: 530 mm x 630 mm (20.9" x 24.8")

Load Capacity: 50 kg (110 lbs.)

Folded Size: 700 mm x 110 mm x 920 mm
(27.5" x 4.3" x 36.2")

Fits ¾ and full size double bass



DS571BB

Violin/Viola Stand

Features

- » Sturdy, lightweight aluminum stand with bow hook
- » Innovative Auto Grip System (AGS)
- » Folds compactly for easy carrying
- » Three-section design
- » Bow hook

Specifications

Height: 420 mm - 670 mm (16.5" - 26.4")

Weight: 0.59 kg (1.3 lbs.)

Base Radius: 250 mm (9.8")

Load Capacity: 5 kg (11 lbs.)

Folded Size: 99 mm × 84 mm × 475 mm
(3.9" × 3.3" × 18.7")

Fits ¼, ⅓, ½, ¾, 7⁄8 and full size violins and 12-17" violas



Detachable Utility Holder

Auto Grip System (AGS)

Cradle the violin/viola peg box on the AGS. The weight of the violin lifts the front levers, securing the instrument on the stand. Lift the instrument to release.

VIOLIN/VIOLA WALL DISPLAYS

AGS Violin/Viola Hangers safely and securely store small stringed instruments

Features

- » For store and home use
- » Fits mandolin, ukulele and most 5-string banjos

Specifications

Load Capacity: 5 kg (11 lbs.)

Fits: ¼, ⅓, ½, ¾, 7⁄8 and full size Violins and 12"-17" Violas

DSP57WB Wood Base Wall Mount



DSP57SB Slatwall Mount



CASSANDRA SOTOS
SUNSET RISING / INDEPENDENT

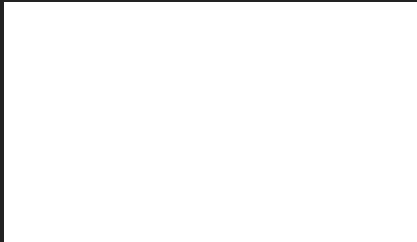




www.herculesstands.com



Specifications subject to change without notice.
2024 EDITION



PRODUCT **CATALOG**